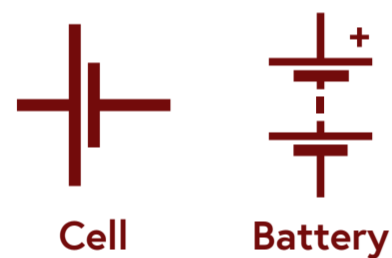


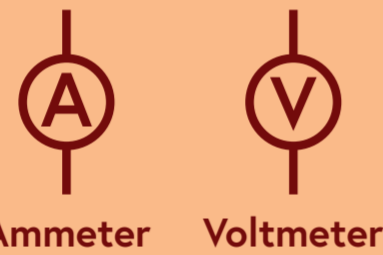
# Electrical and electronic symbols

## Power supplies



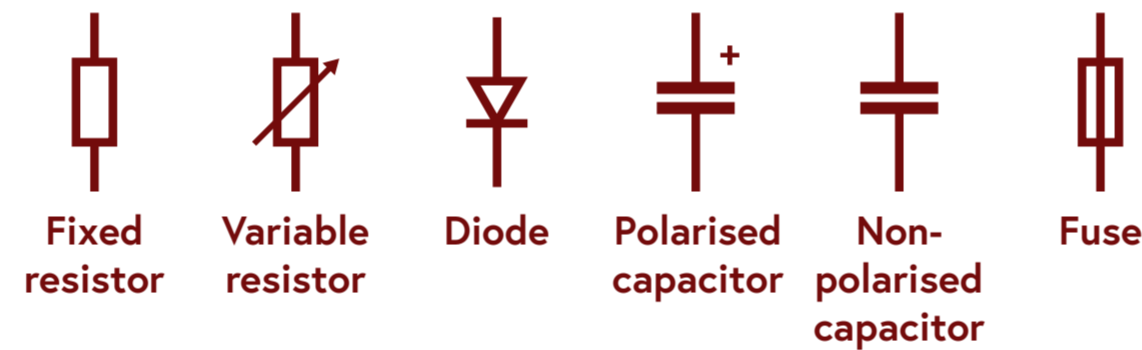
Cell Battery

## Measurement instruments



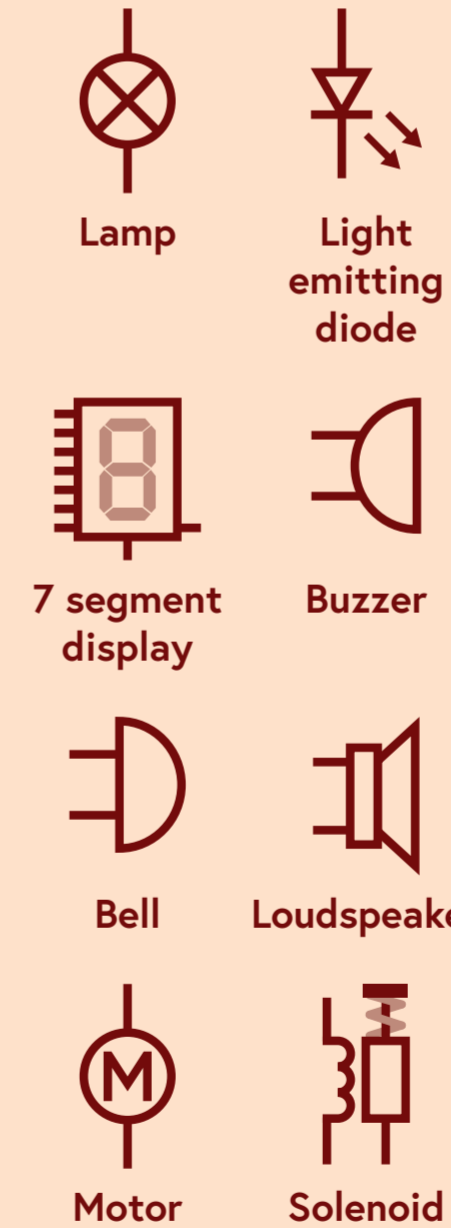
Ammeter Voltmeter

## Passive components



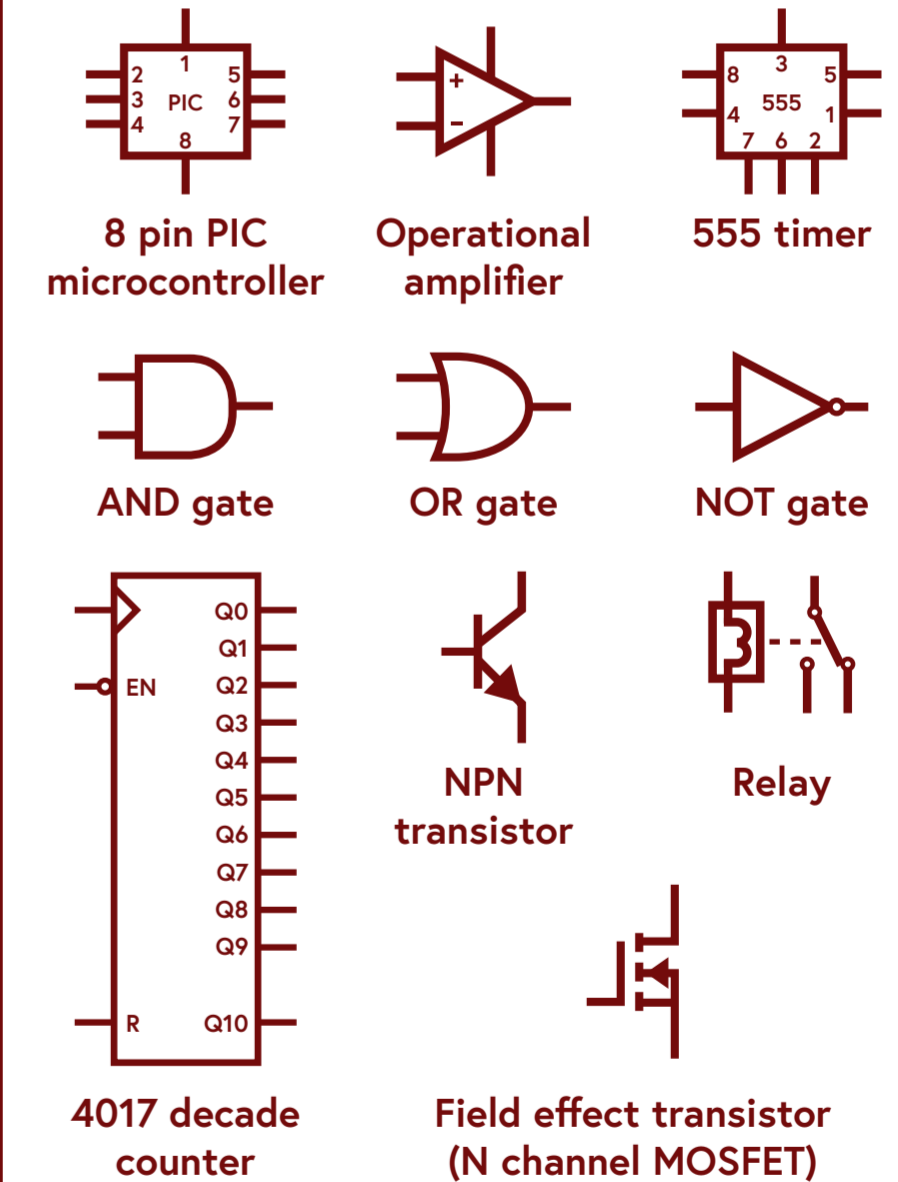
Fixed resistor Variable resistor Diode Polarised capacitor Non-polarised capacitor Fuse

## Output devices



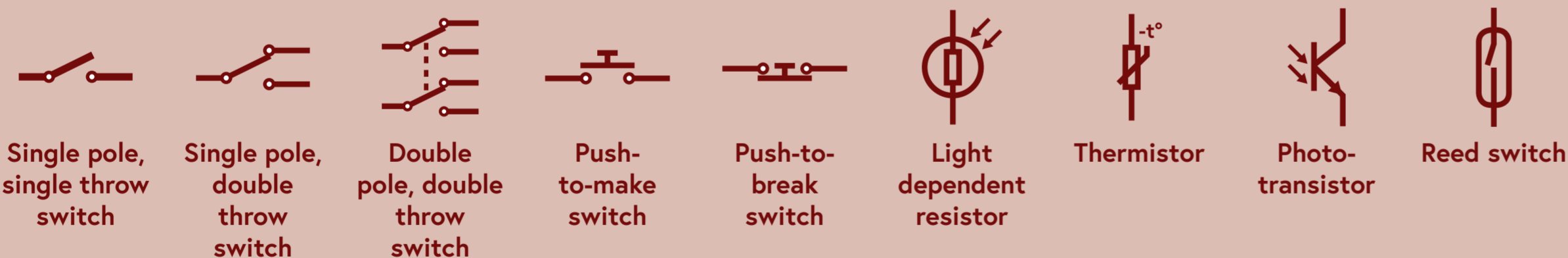
Lamp Light emitting diode 7 segment display Buzzer Bell Loudspeaker Motor Solenoid

## Process and interface devices



8 pin PIC microcontroller Operational amplifier 555 timer AND gate OR gate NOT gate 4017 decade counter NPN transistor Relay Field effect transistor (N channel MOSFET)

## Input devices



Single pole, single throw switch Single pole, double throw switch Double pole, double throw switch Push-to-make switch Push-to-break switch Light dependent resistor Thermistor Photo-transistor Reed switch