



education

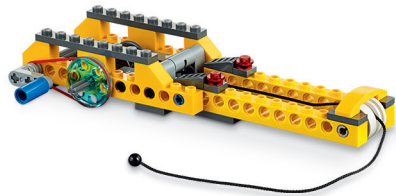


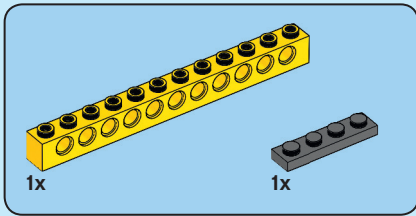
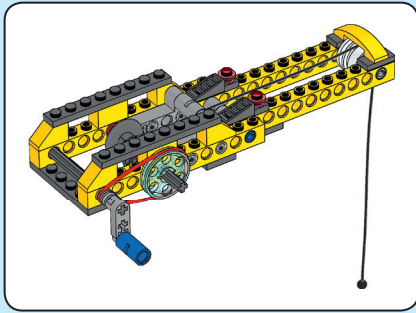
FIRST
LEGO
LEAGUE JR.

45810

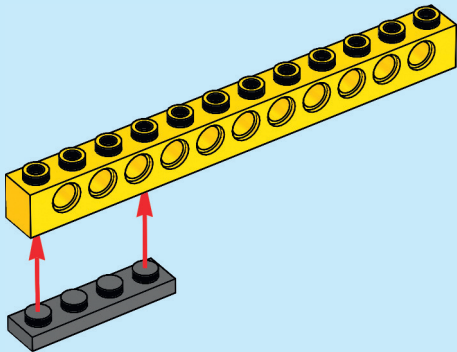


2

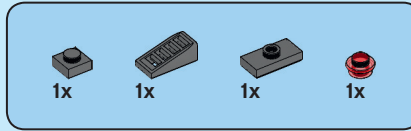




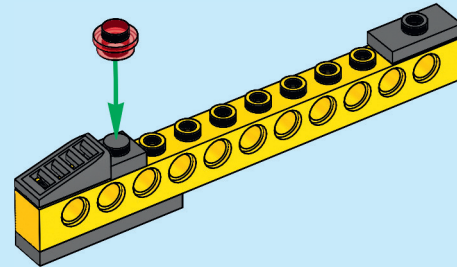
1

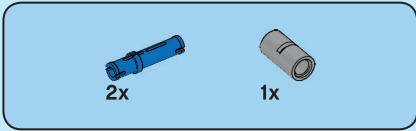


2

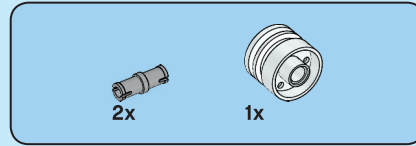
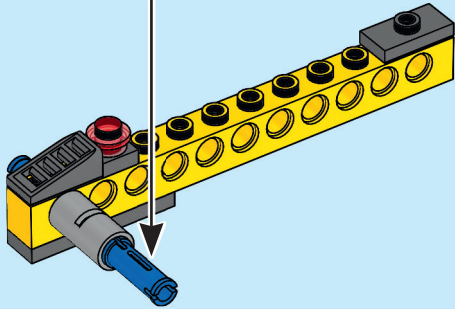
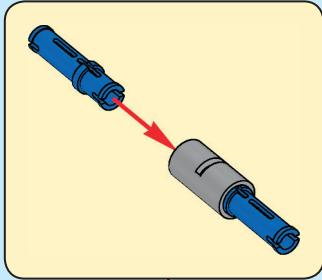


2

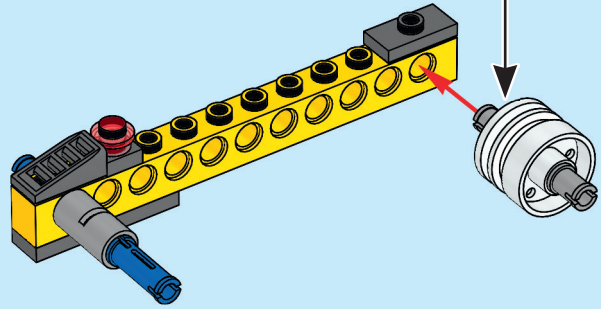
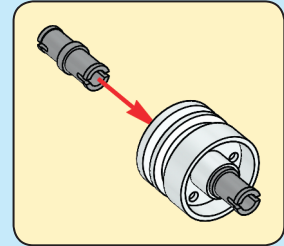




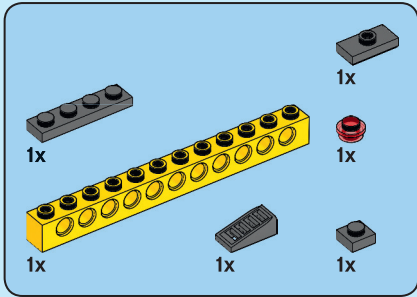
3



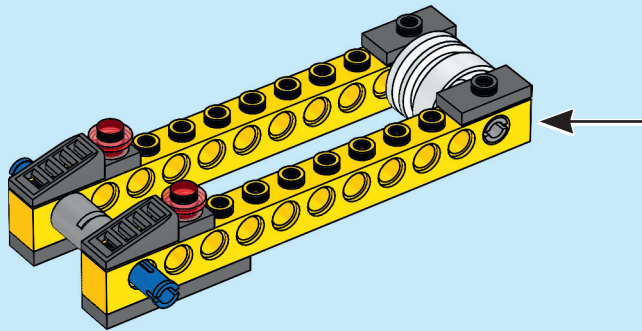
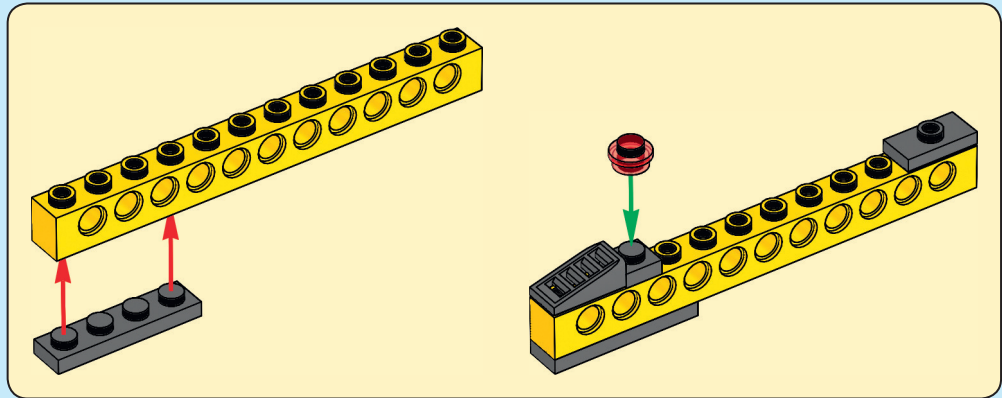
4



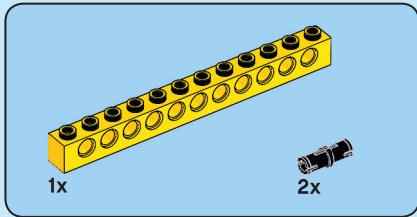
3



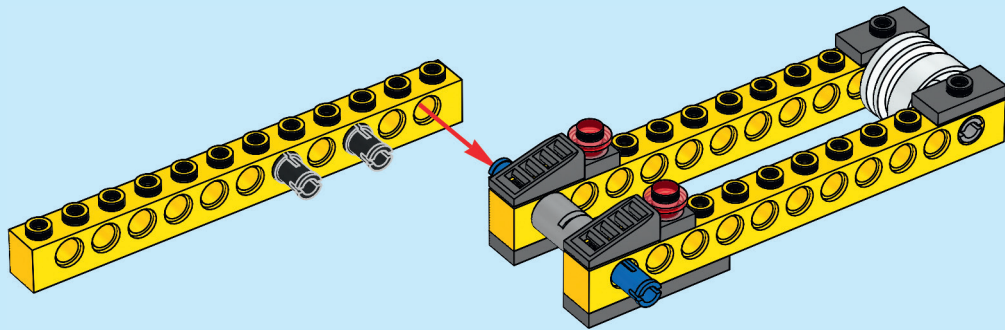
5

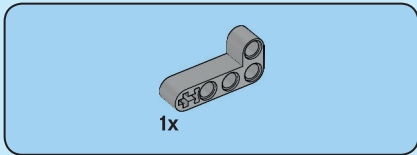


4

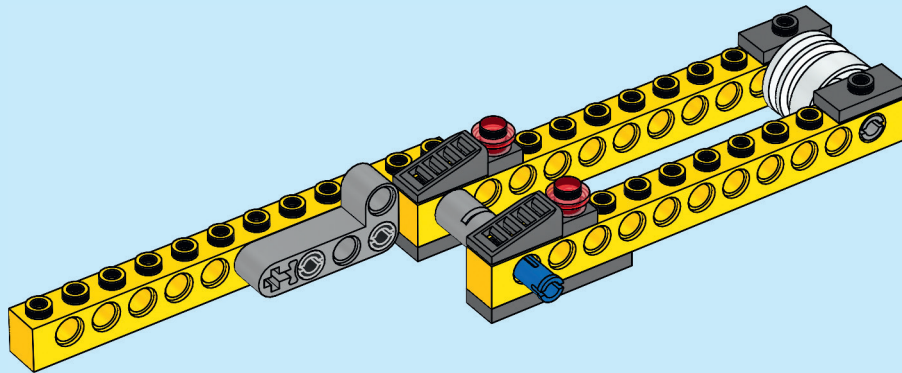


6

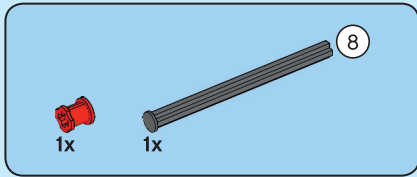




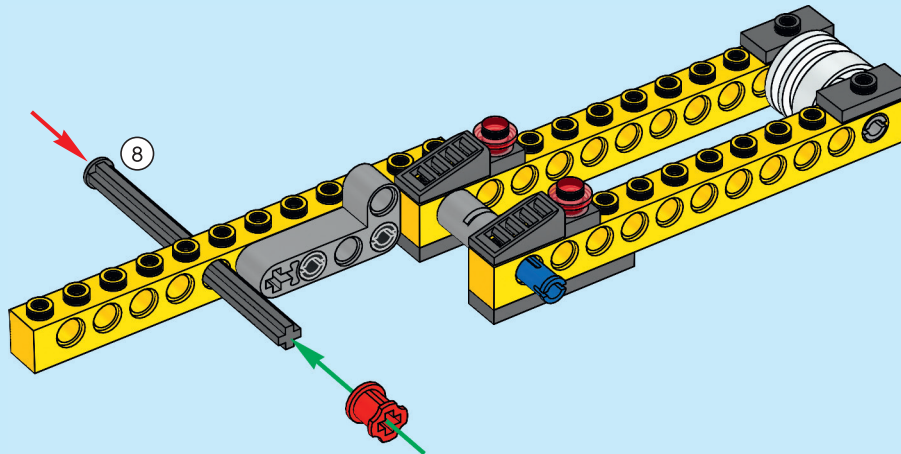
7

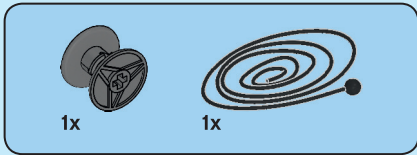


6

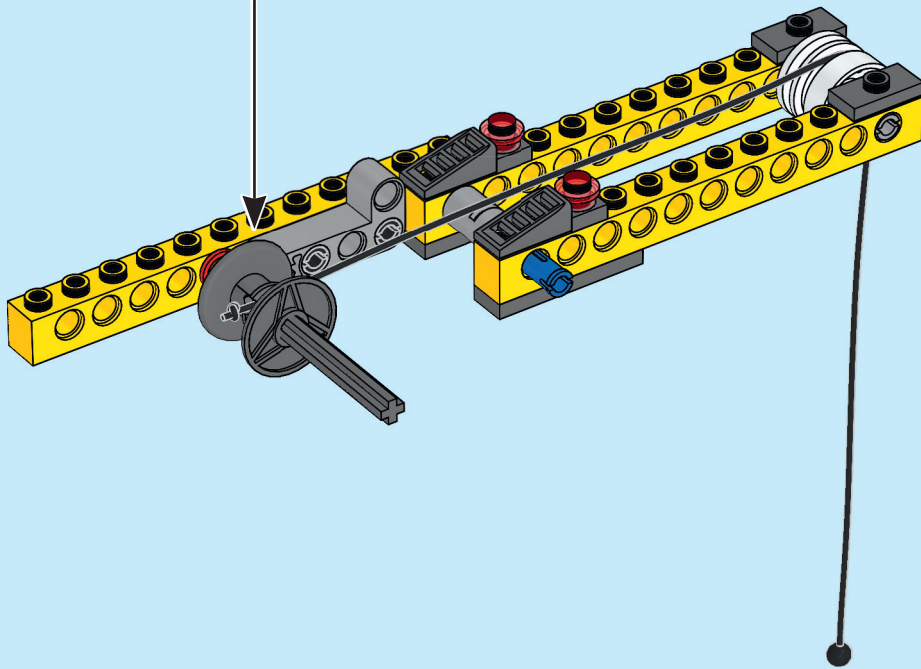
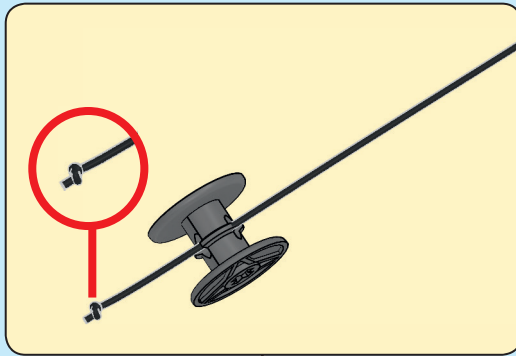


8

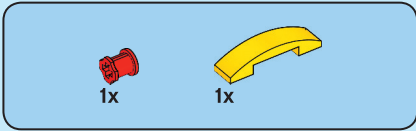




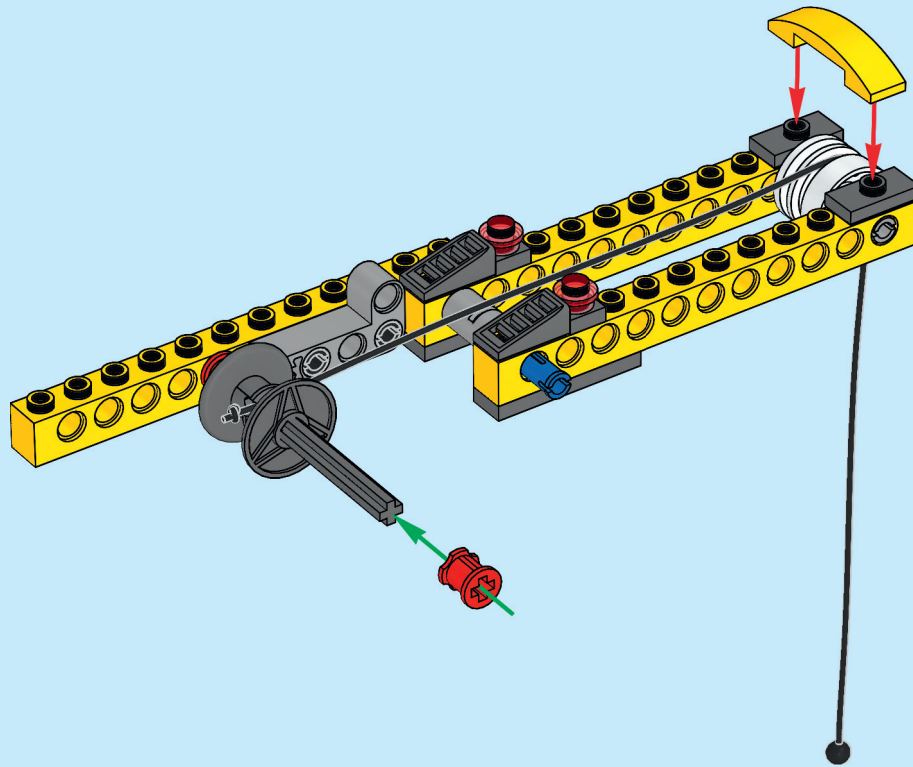
9



8



10



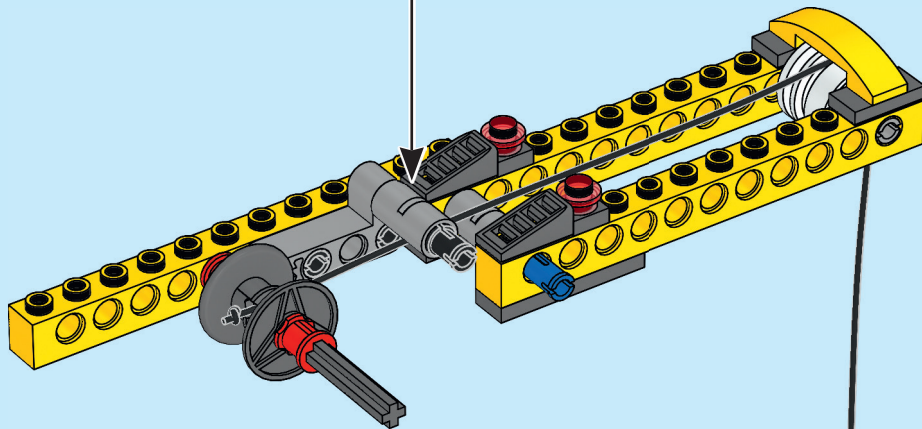
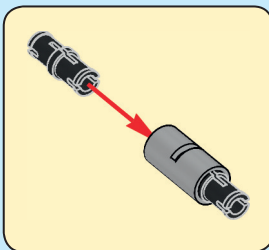


2x

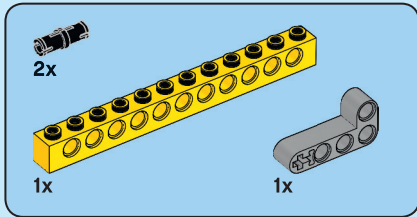


1x

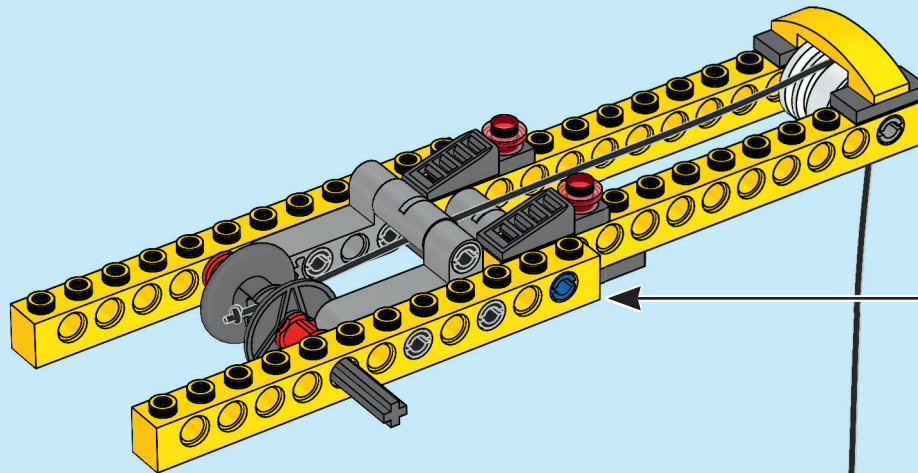
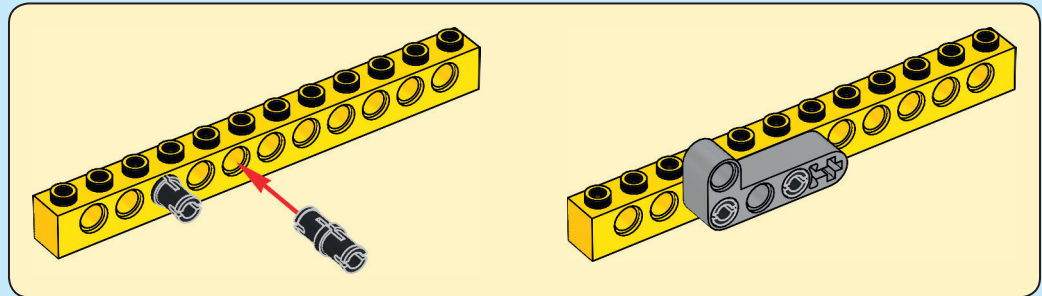
11

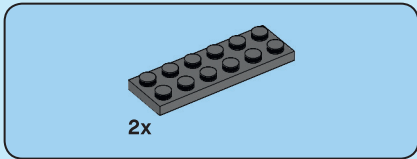


10

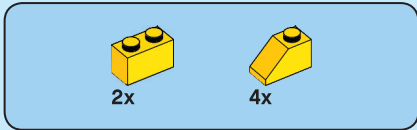
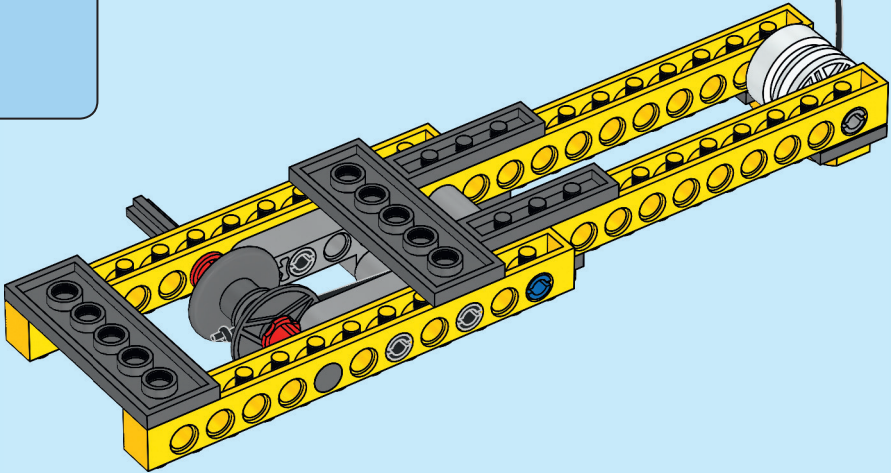


12

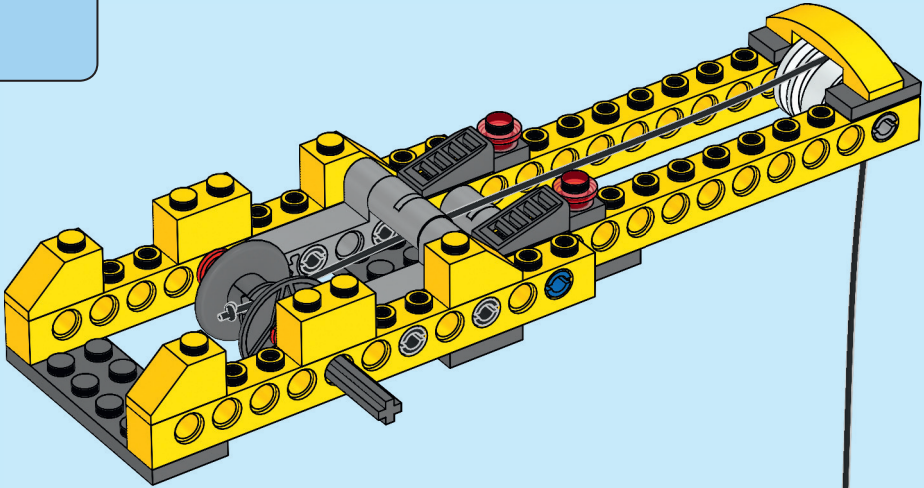


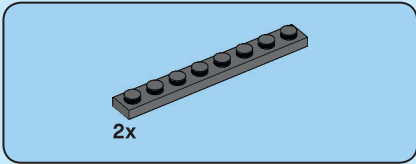


13

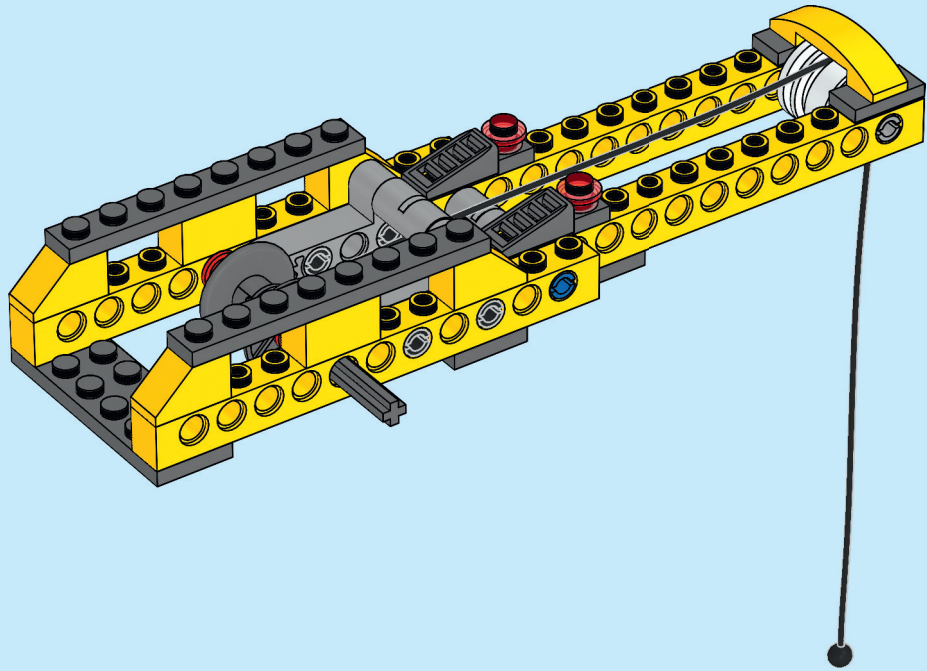


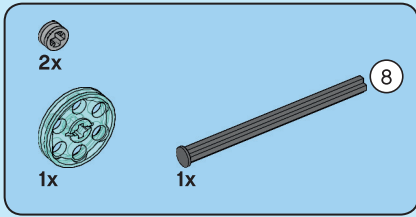
14



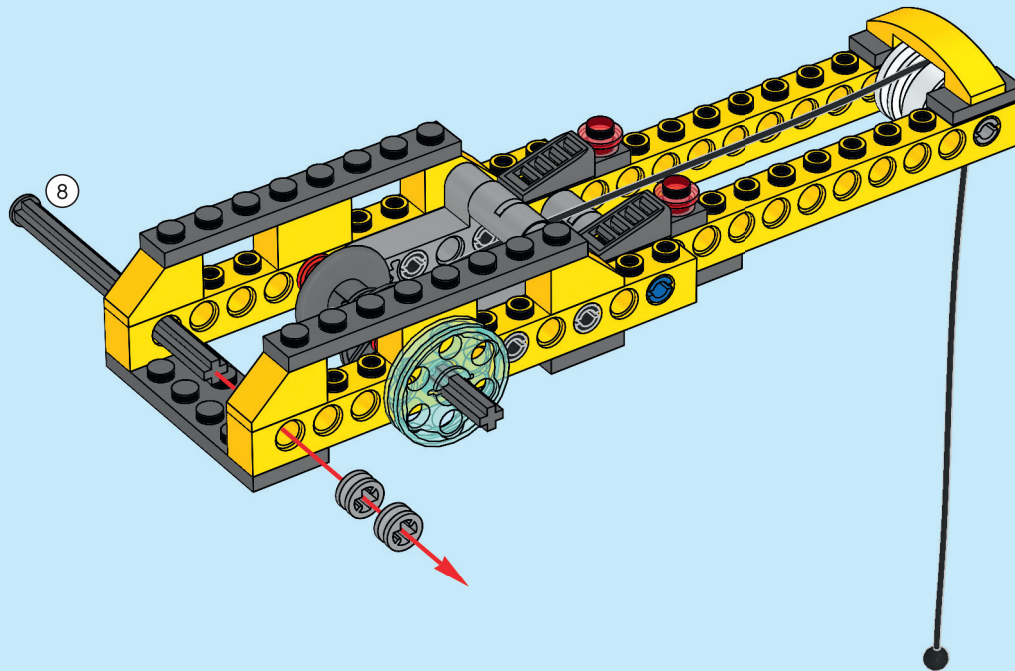


15

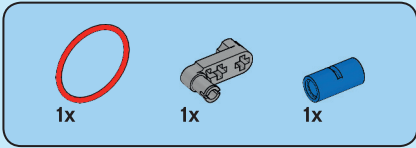




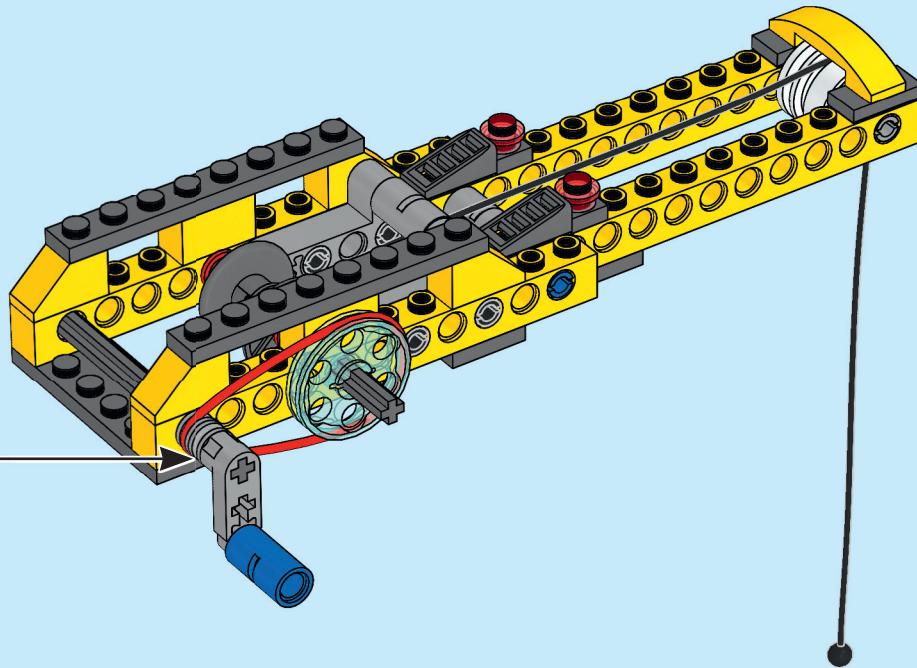
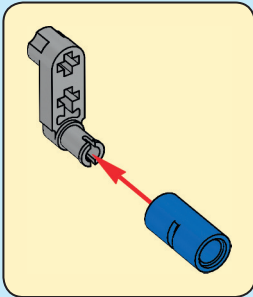
16



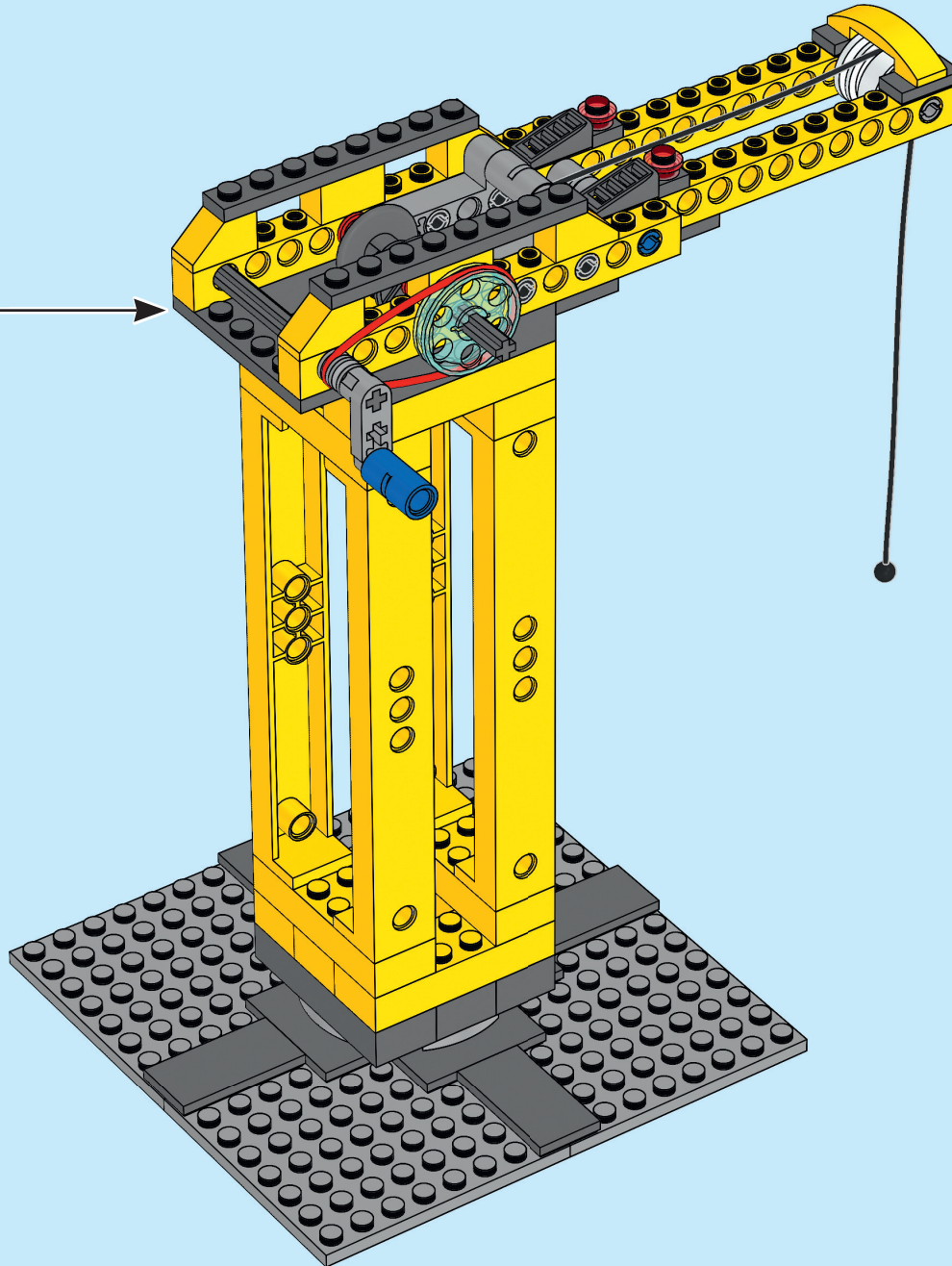
14



17



18



16

LEGO and the LEGO logo are trademarks of the LEGO Group. ©2019 The LEGO Group.
FIRST[®] is a registered trademark of For Inspiration and Recognition of Science and Technology (FIRST).
LEGO[®] is a registered trademark of the LEGO Group. FIRST[®] LEGO[®] League Jr. and BOOMTOWN BUILDSM
are jointly held trademarks of FIRST and the LEGO Group.

©2019 FIRST and the LEGO Group. All rights reserved. 6289516