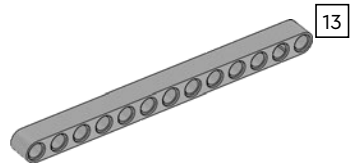


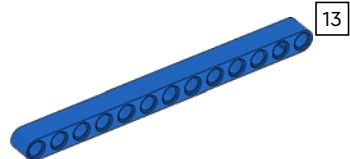
4x  
Yellow



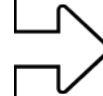
3x  
Medium grey



3x  
Black



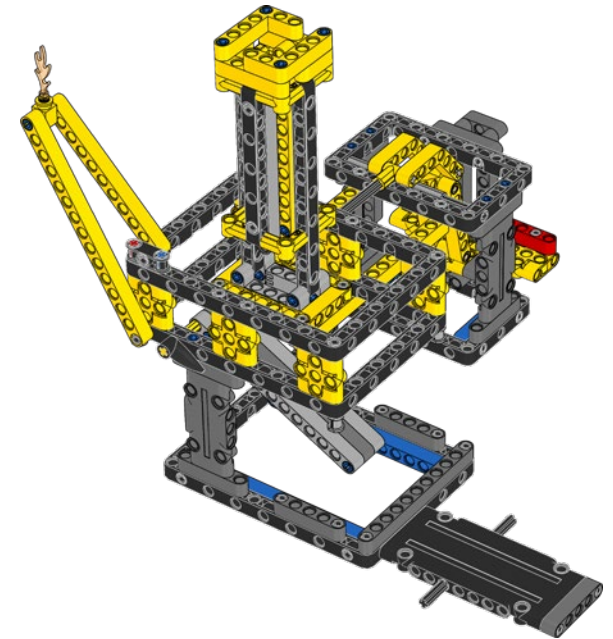
2x  
Blue



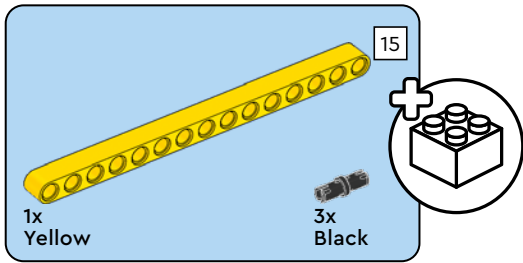
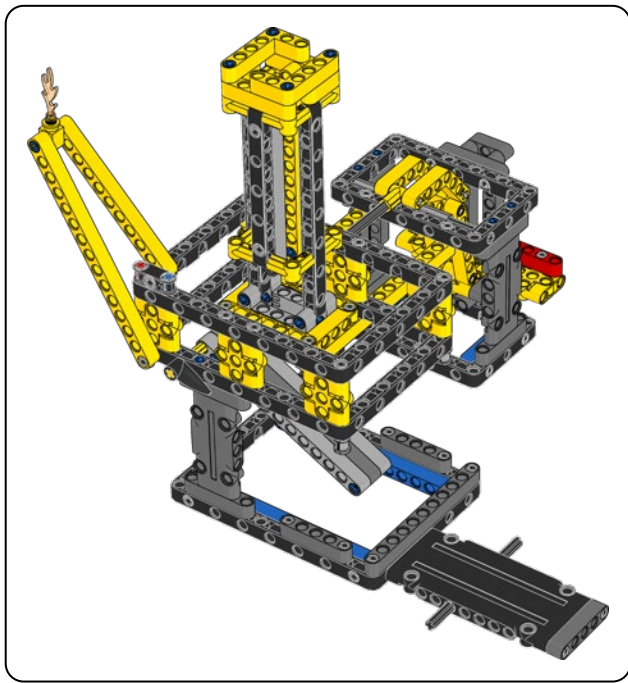
2x  
Black



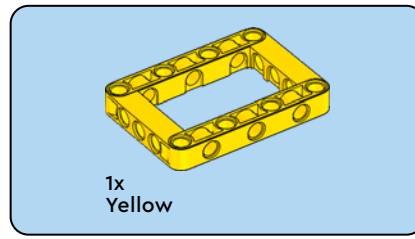
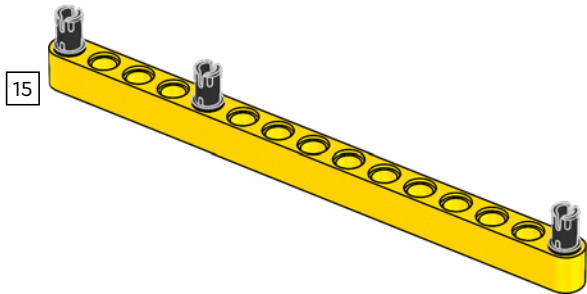
3x  
Black



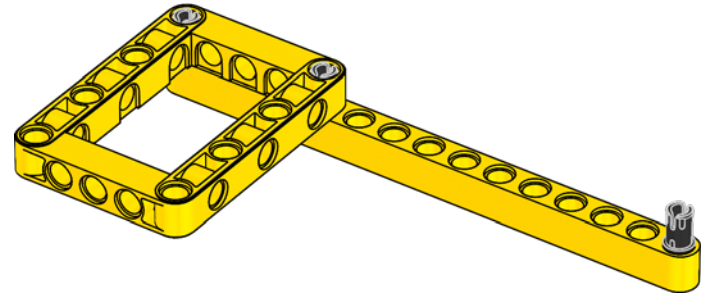
45820

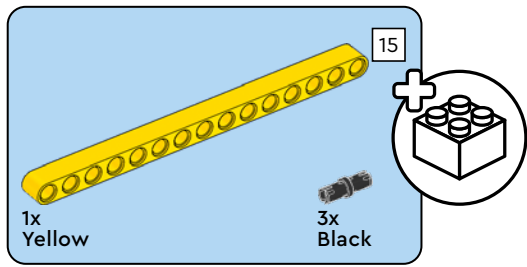


1

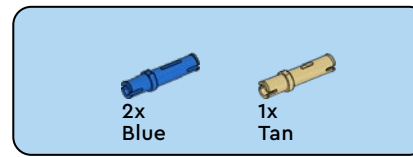
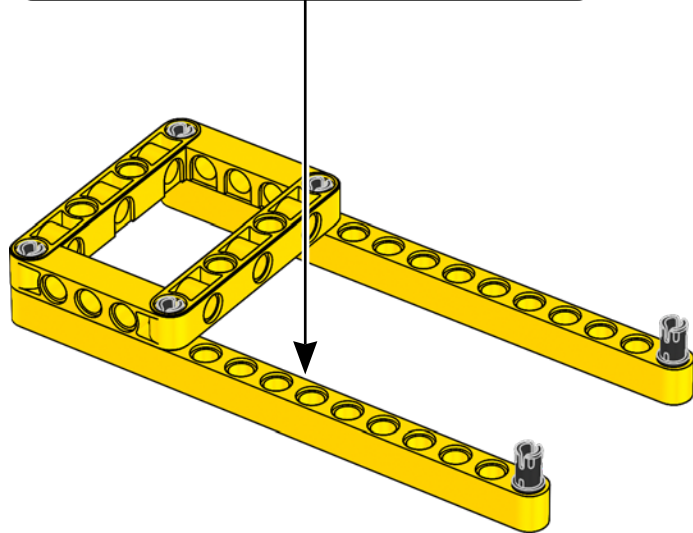
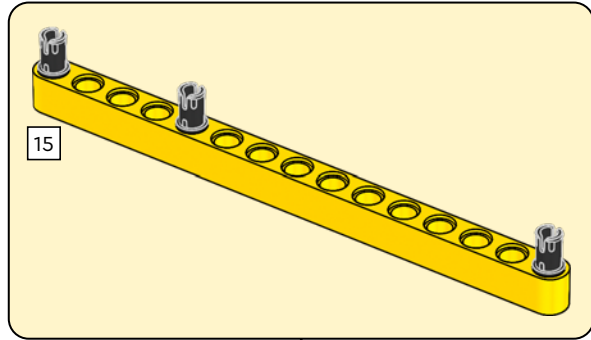


2

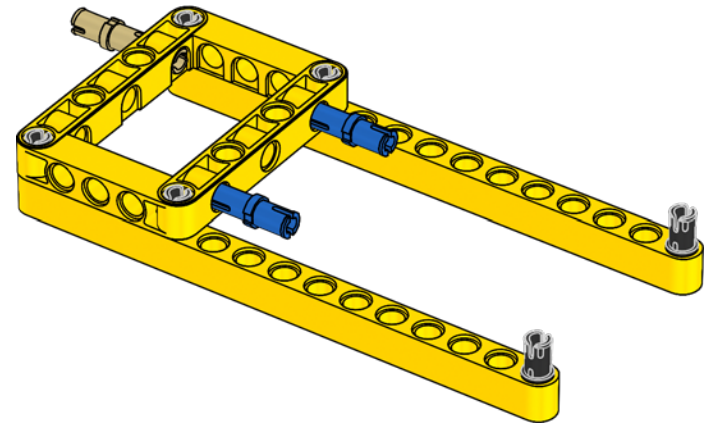


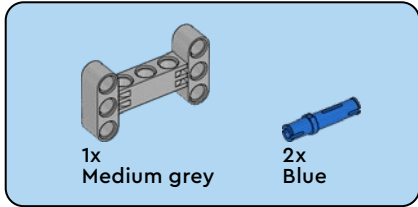
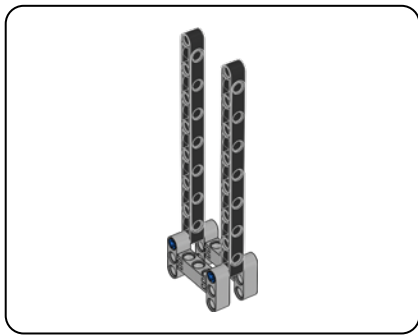


3

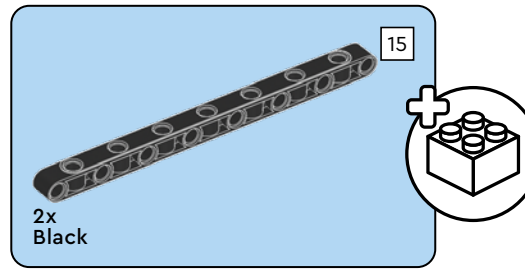
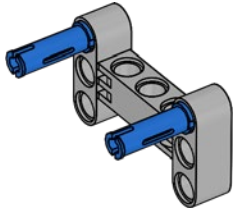


4

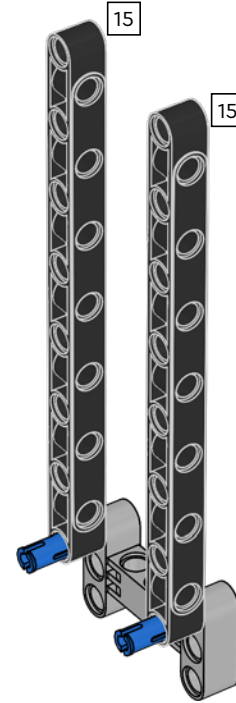


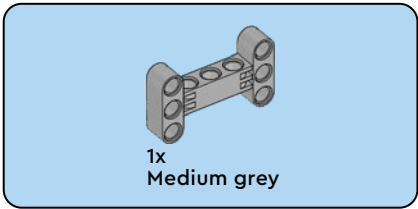


5

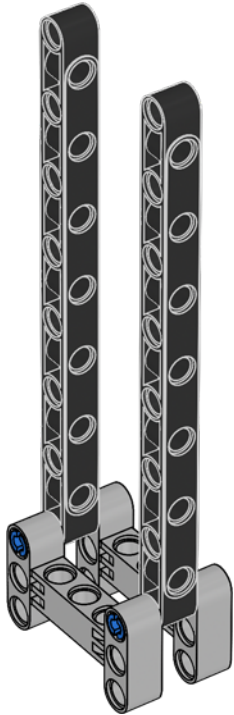


6

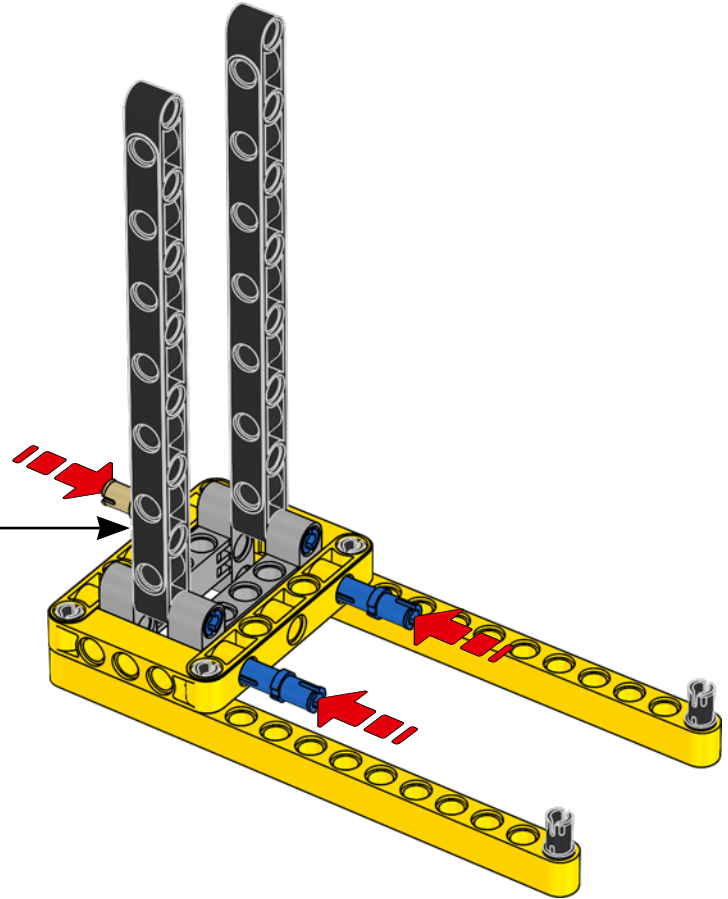


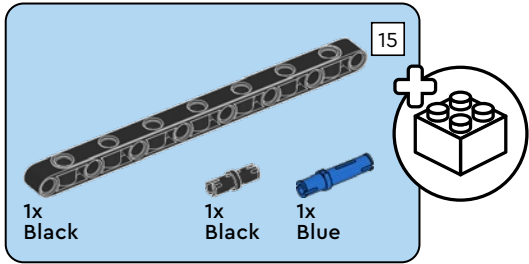
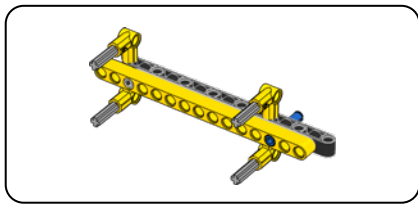


7

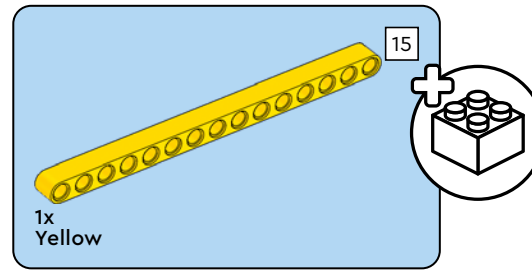
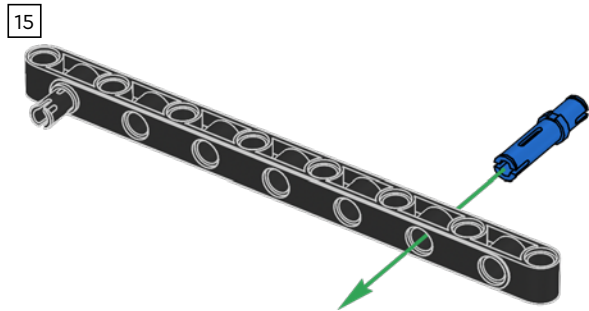


8

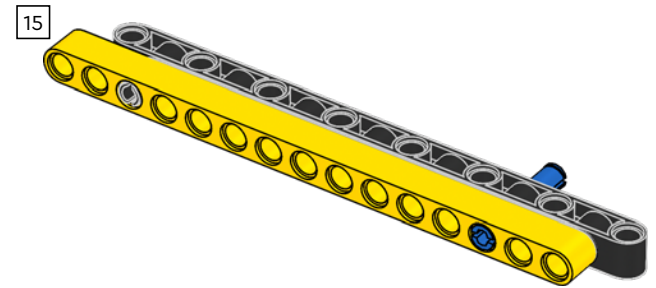


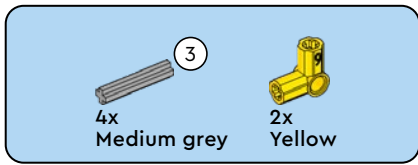


9

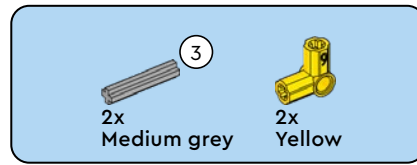
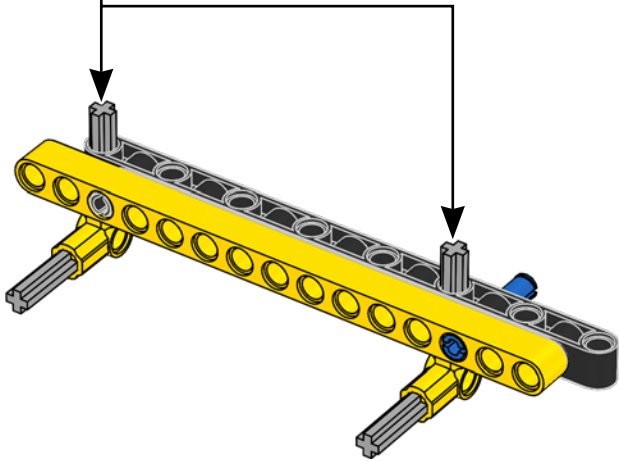
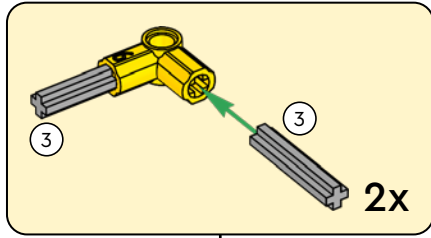


10

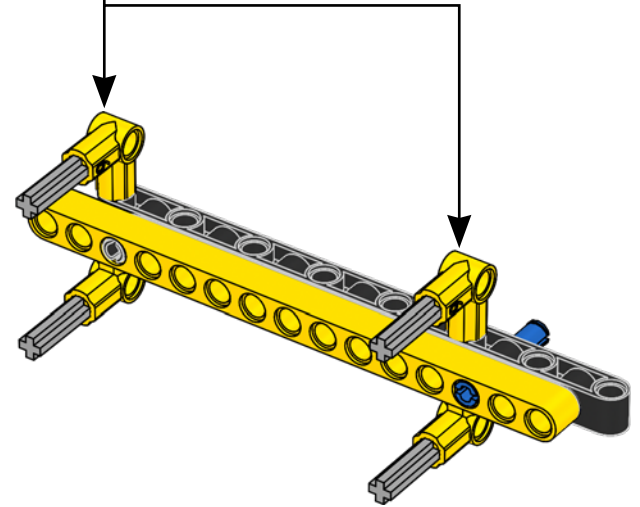
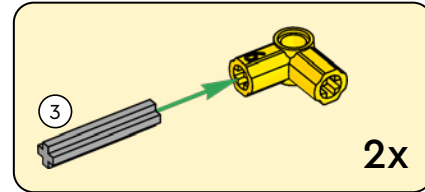




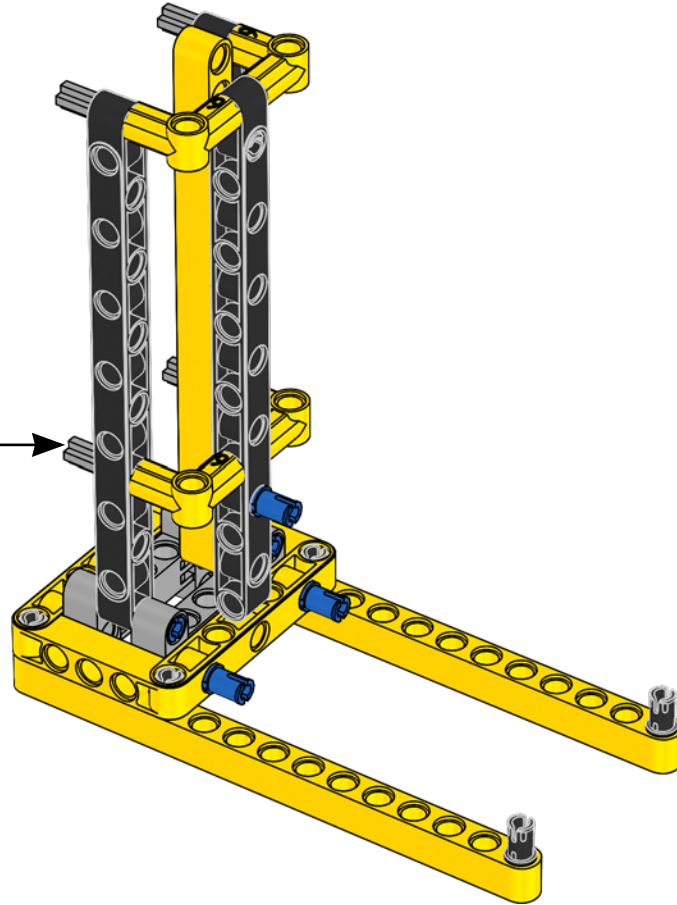
11



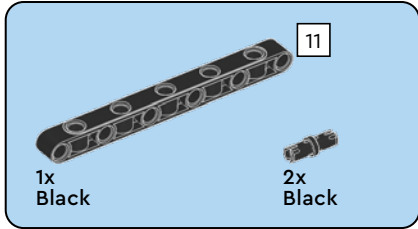
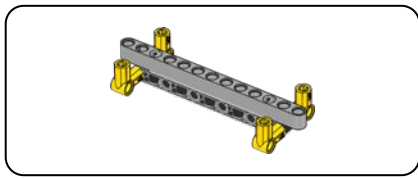
12



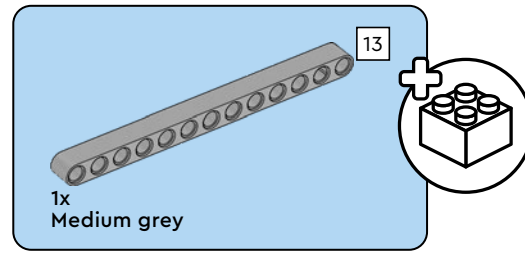
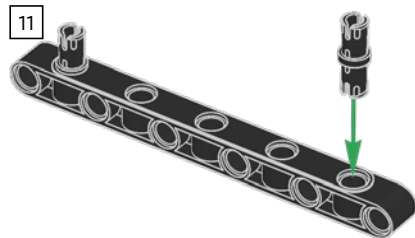
13



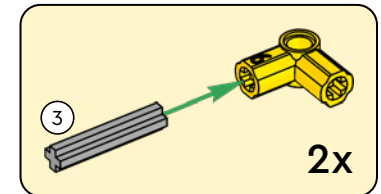
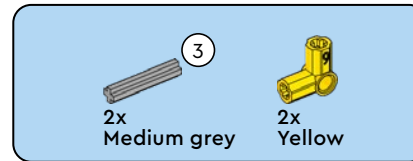
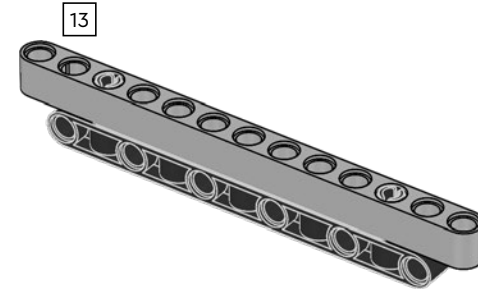




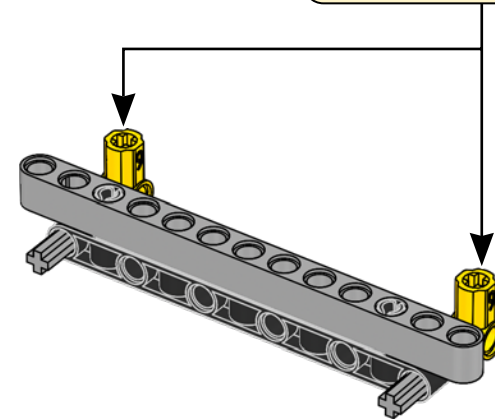
14



15



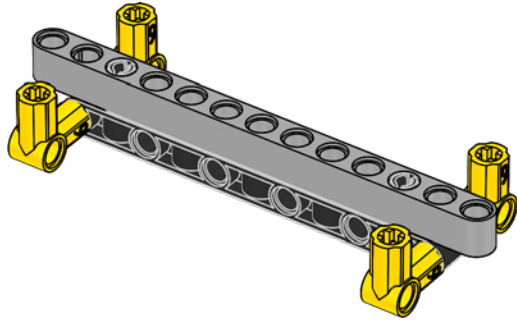
16



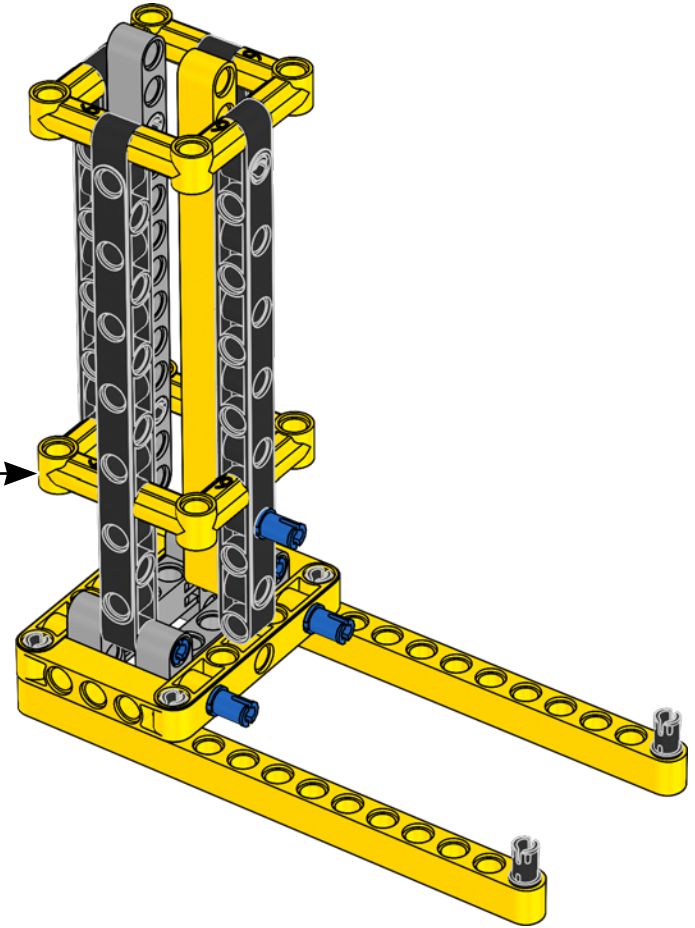


2x  
Yellow

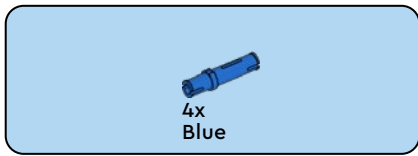
17



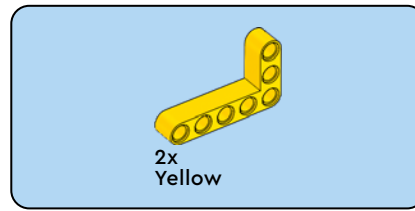
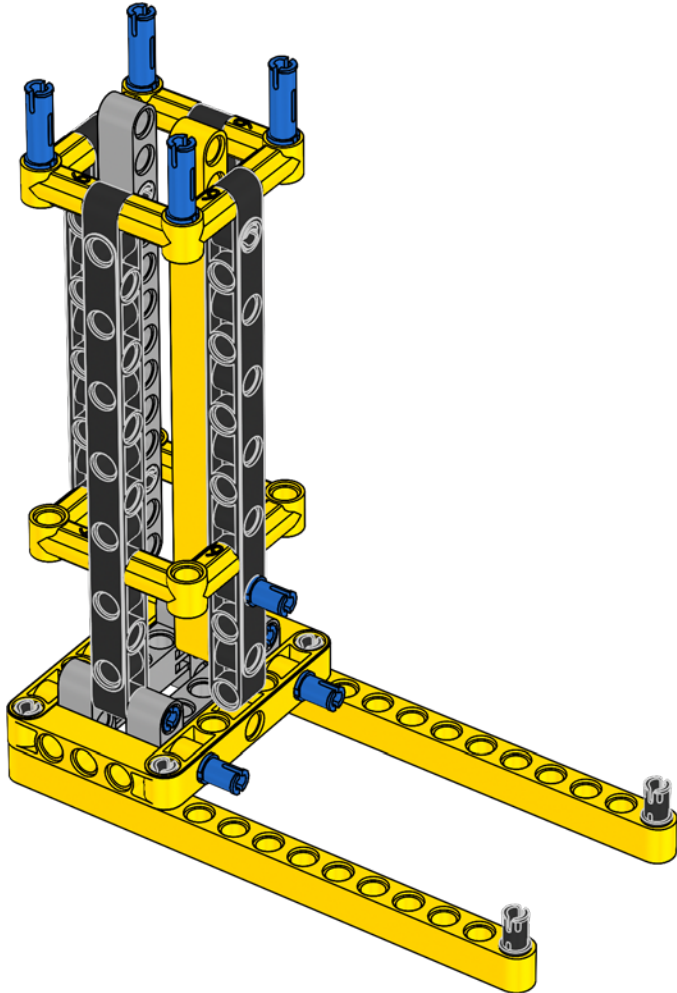
18



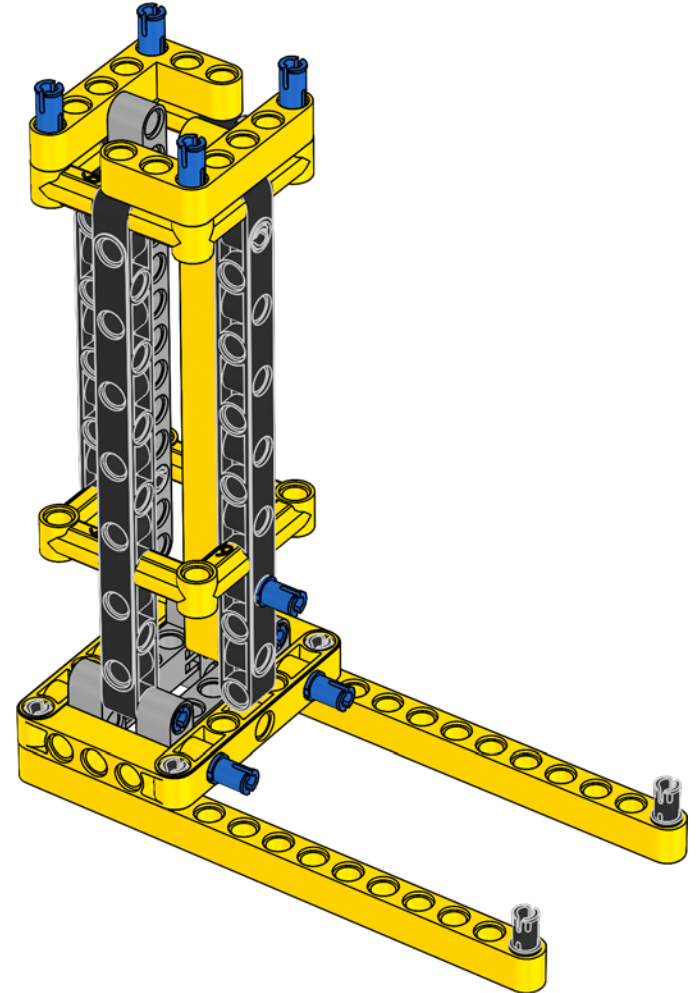
2

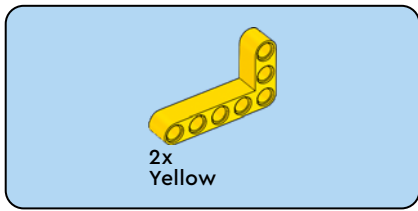


19

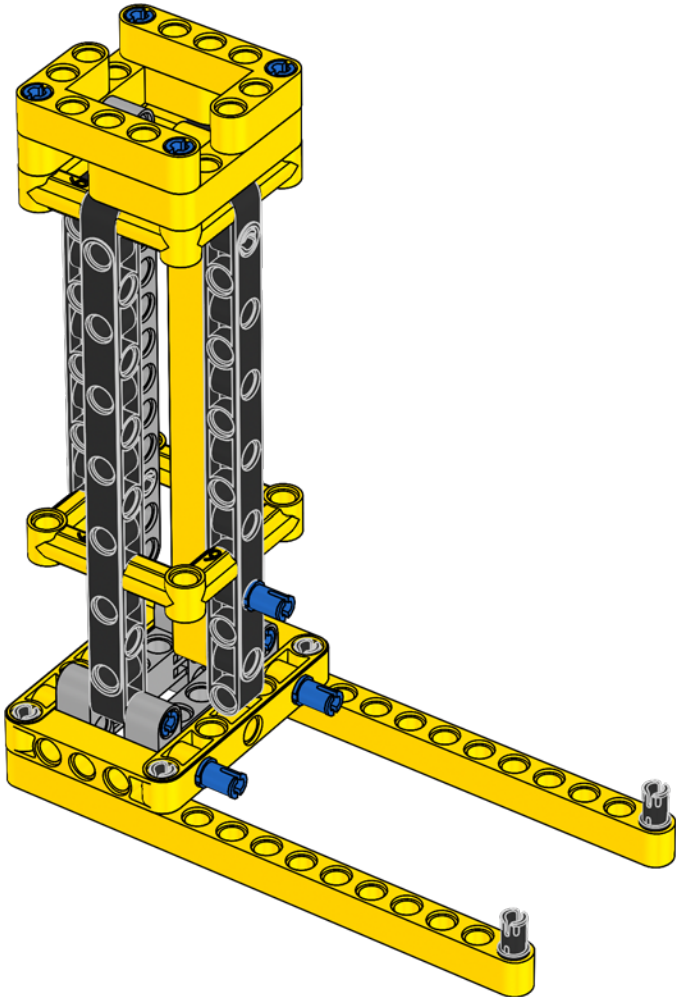


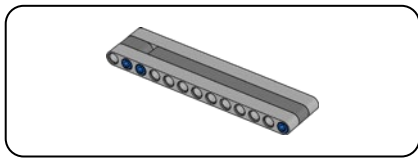
20



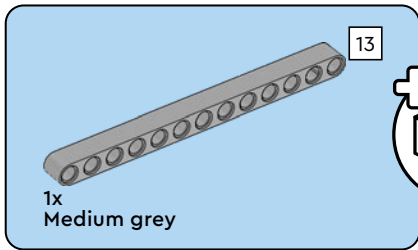
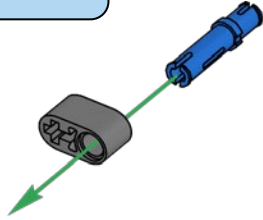


21

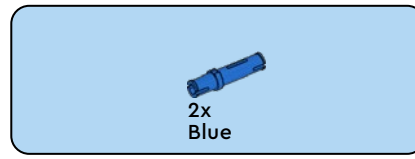
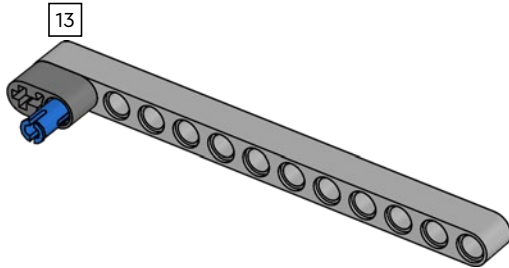




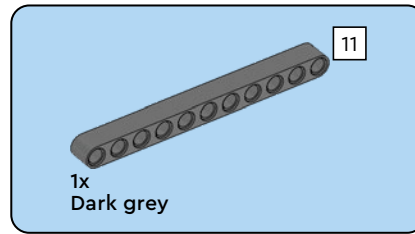
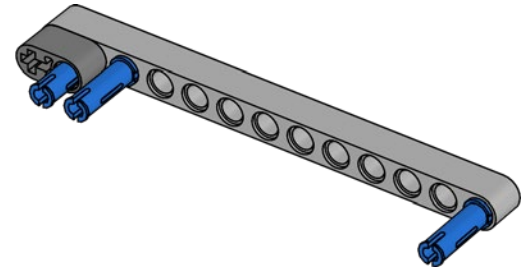
22



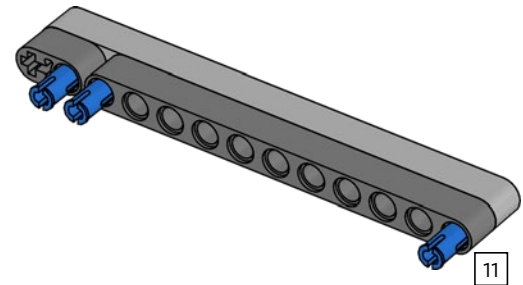
23

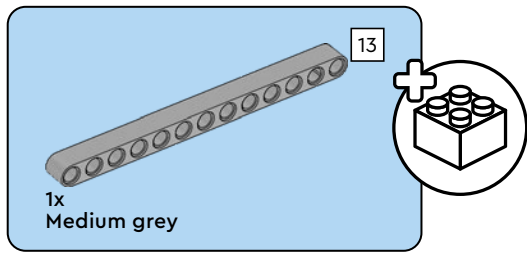


24

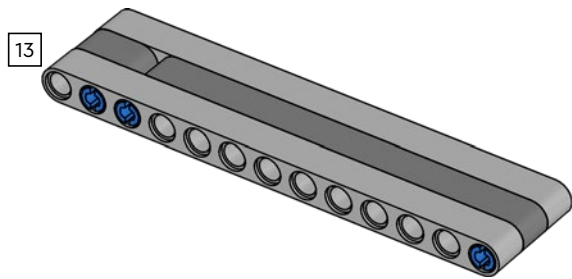


25

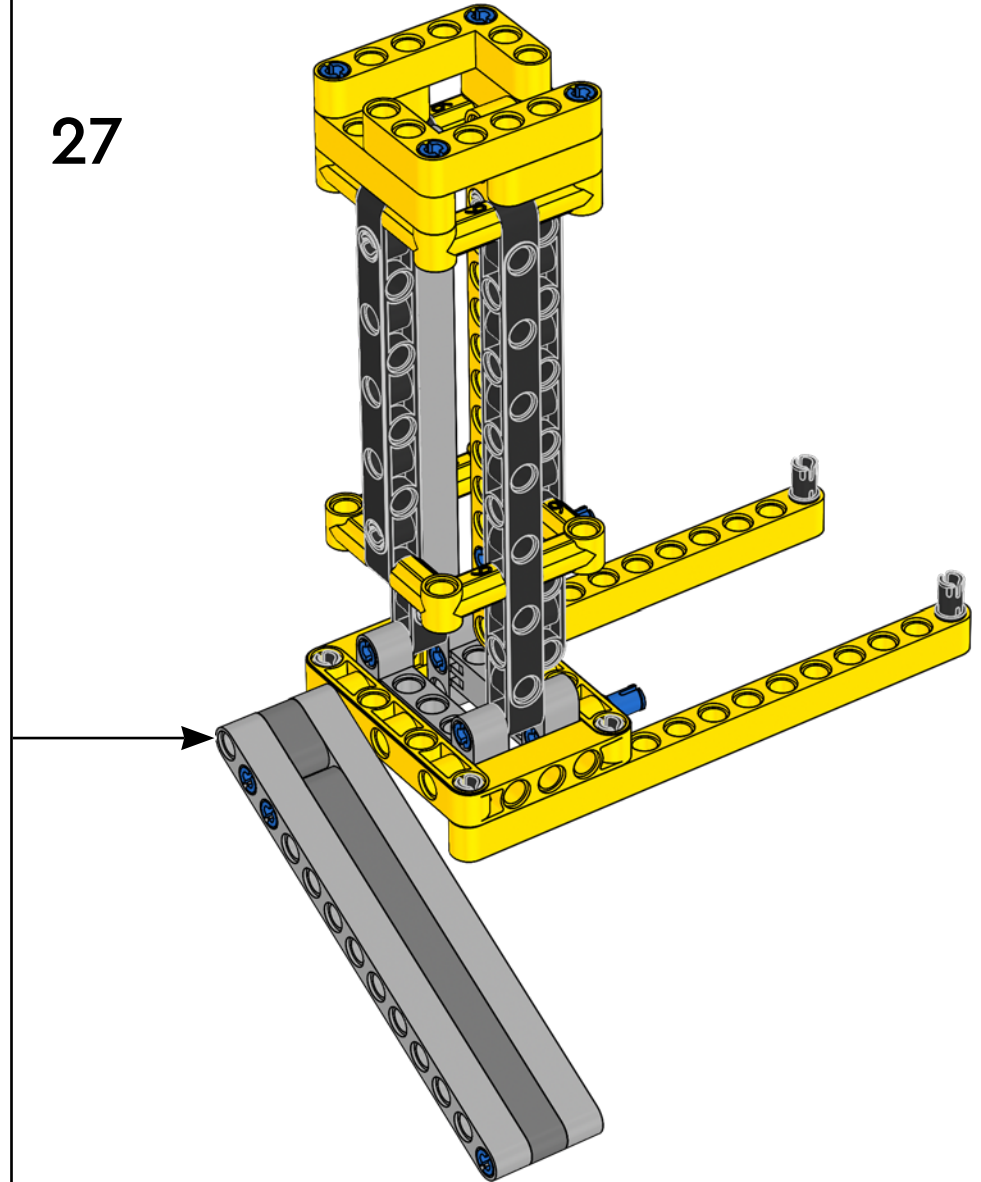


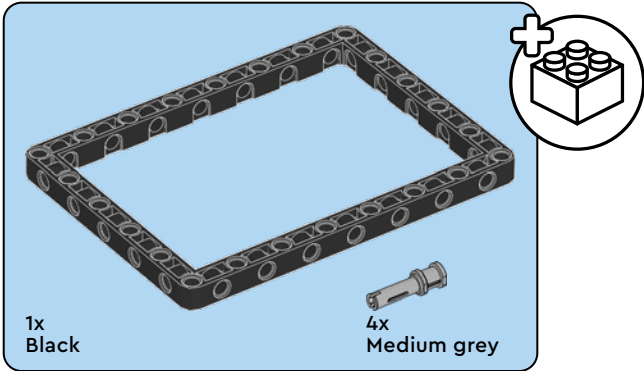
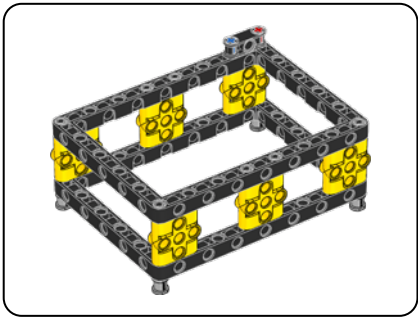


26

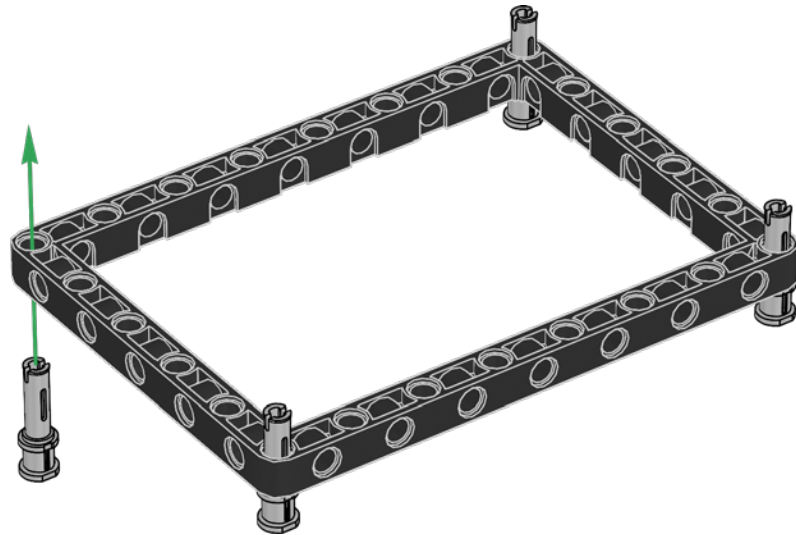


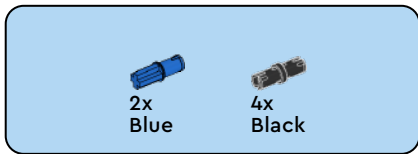
27



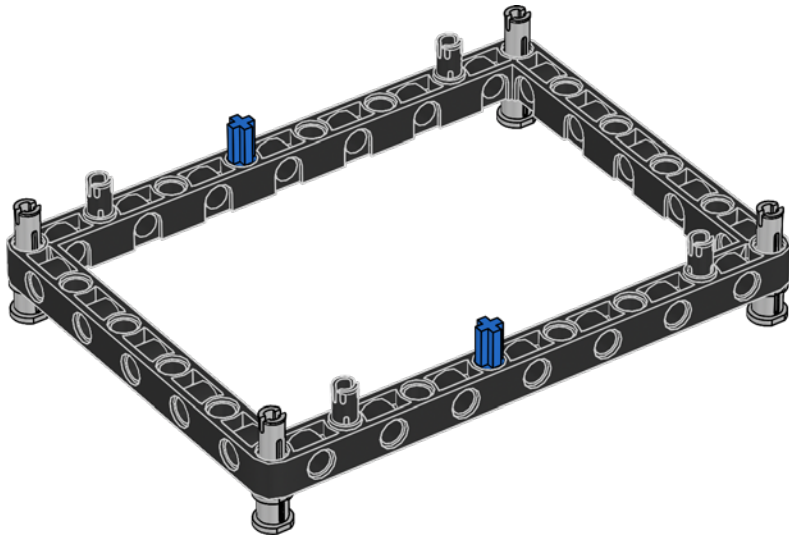


28

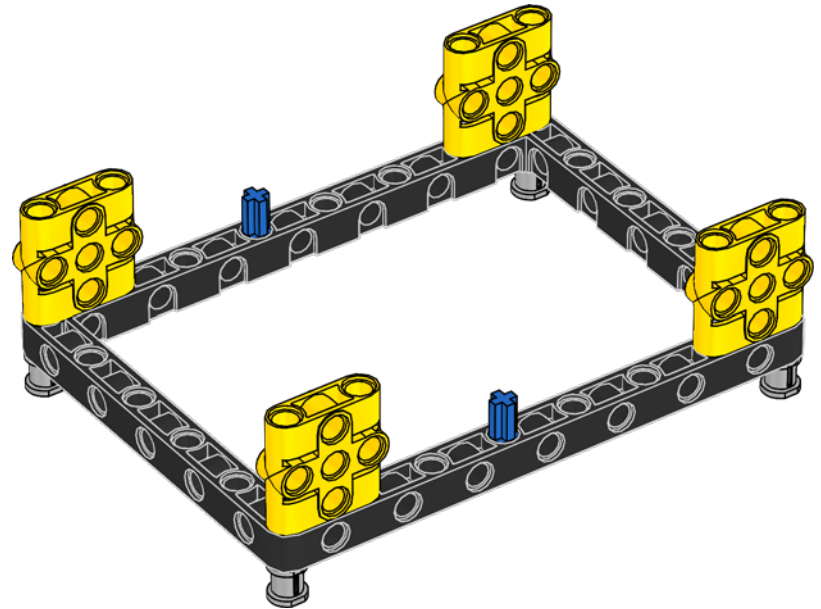




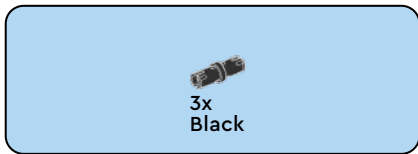
29



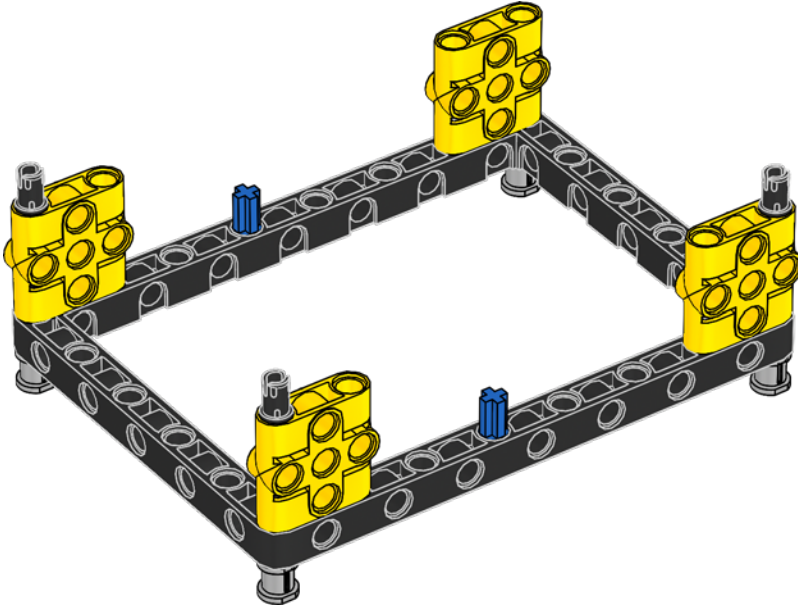
30

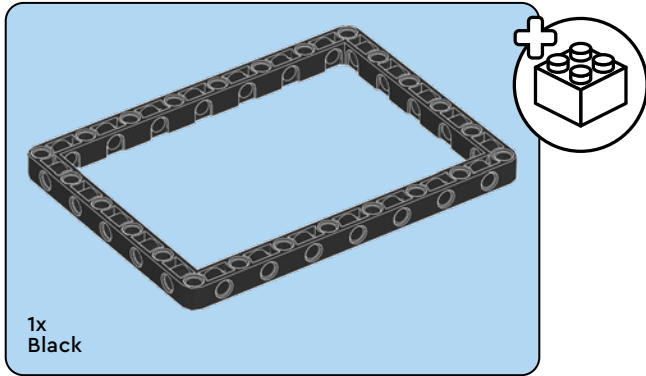
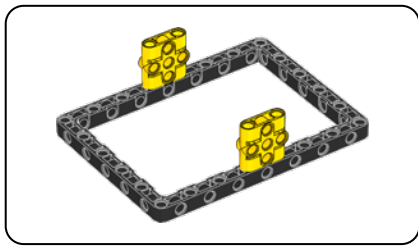




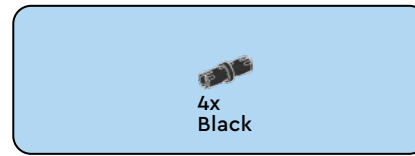
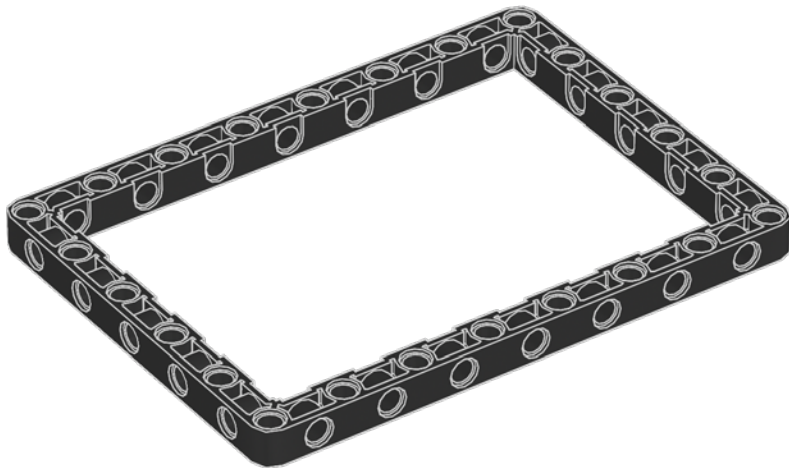


31

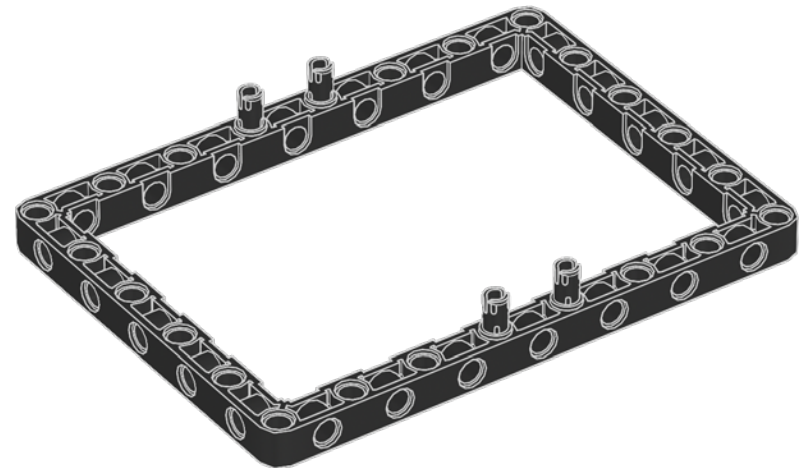


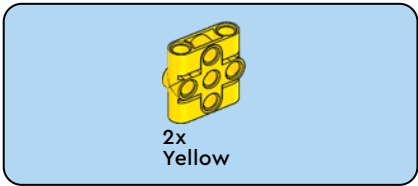


32

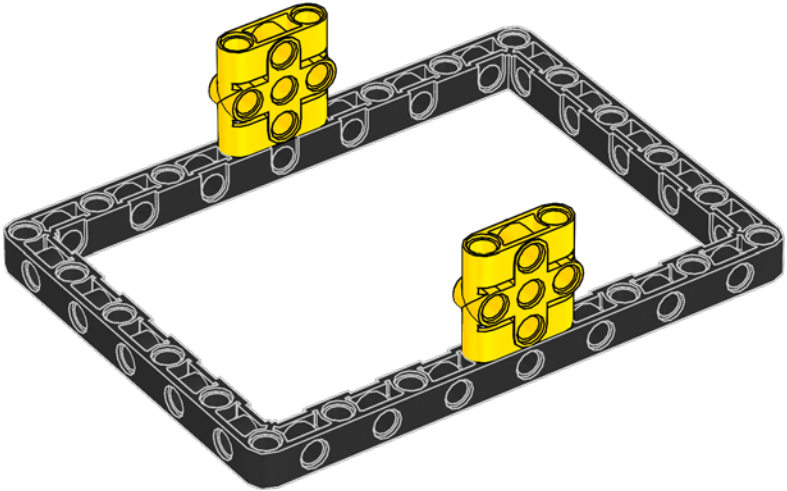


33

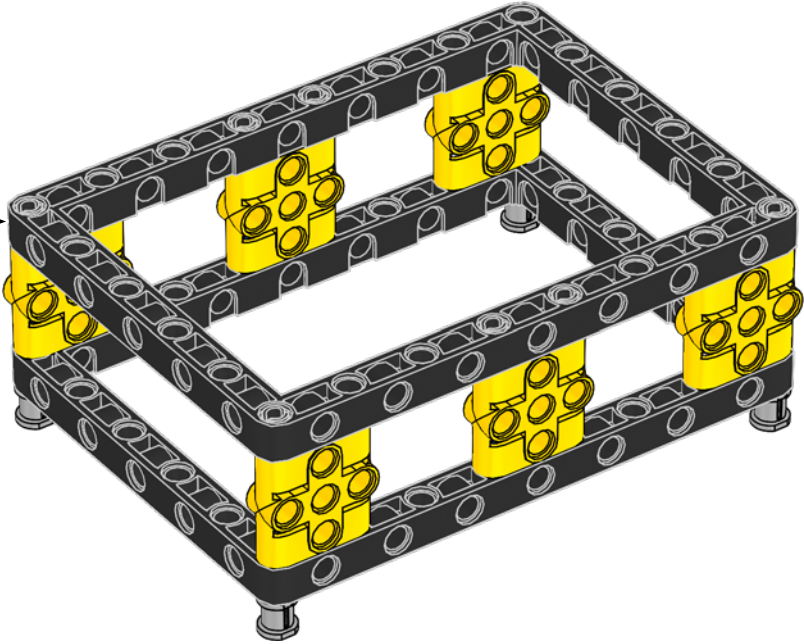


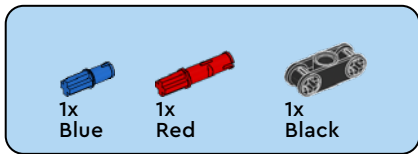


34

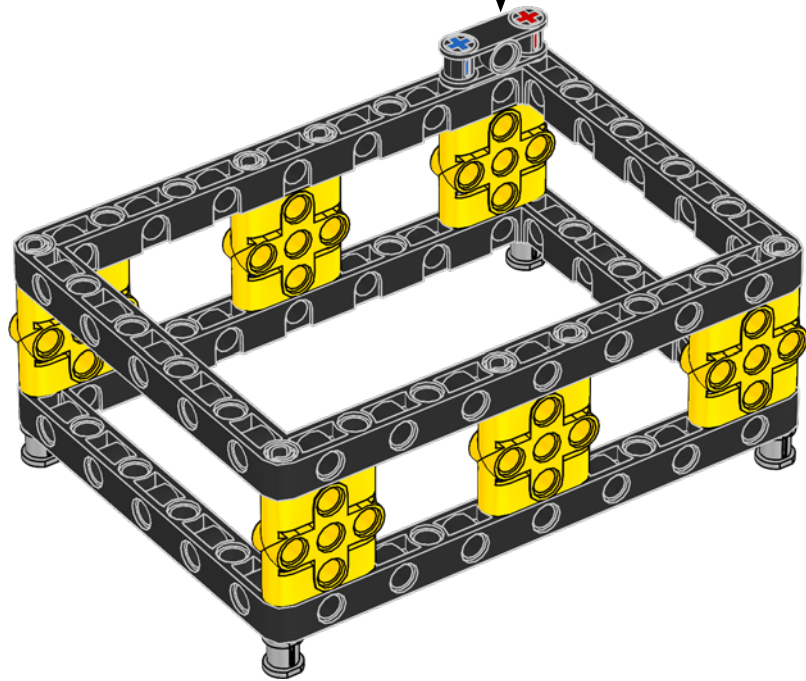
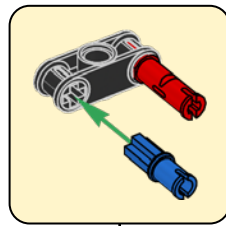


35

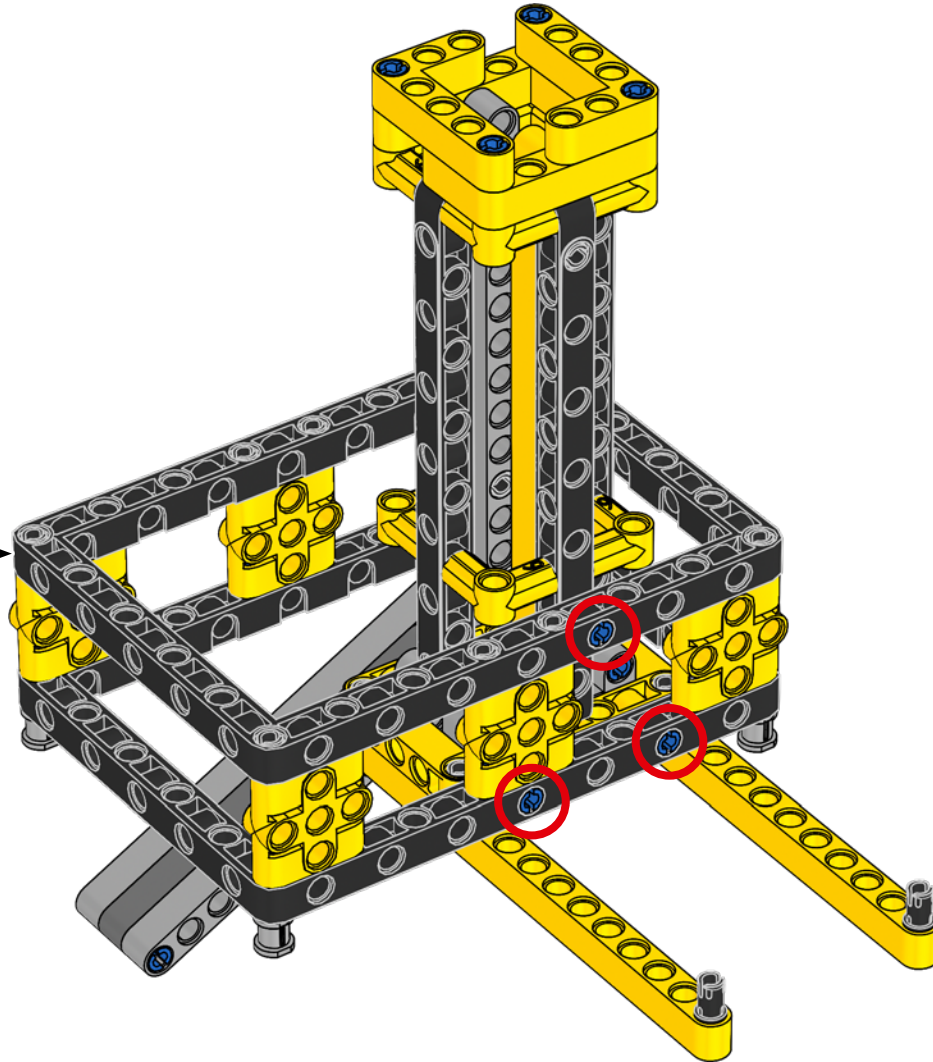


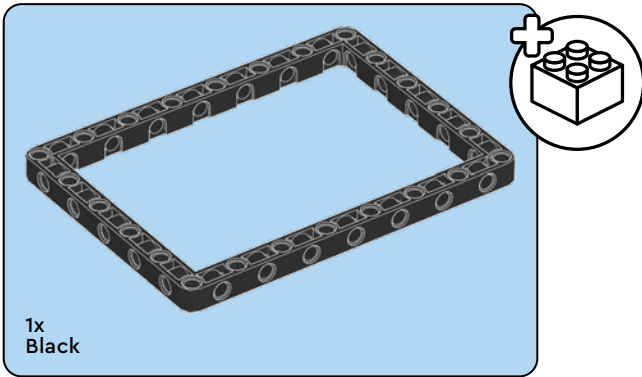
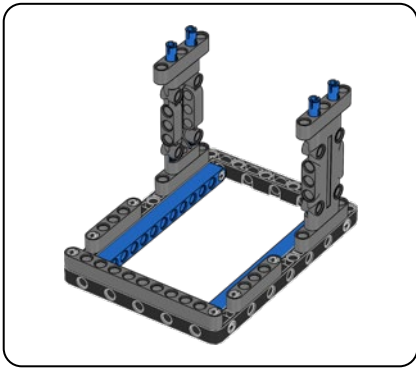


36

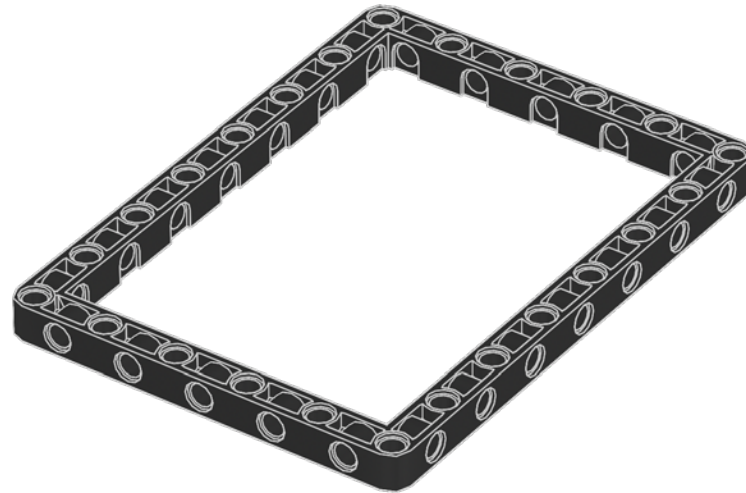


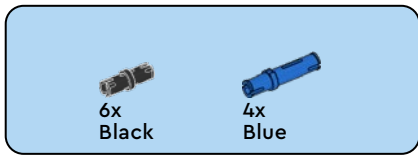
37



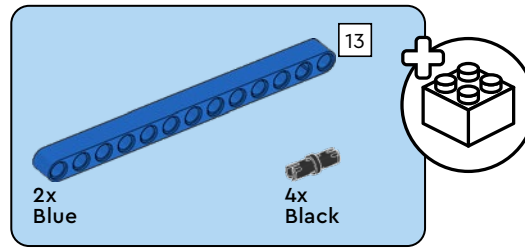
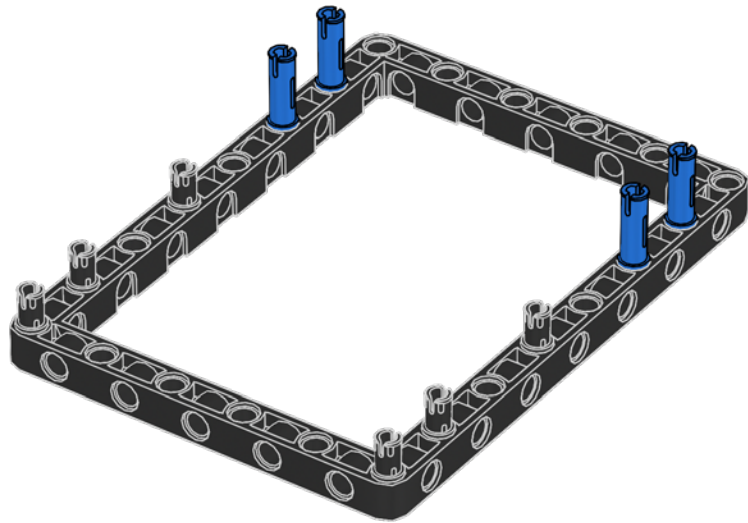


38

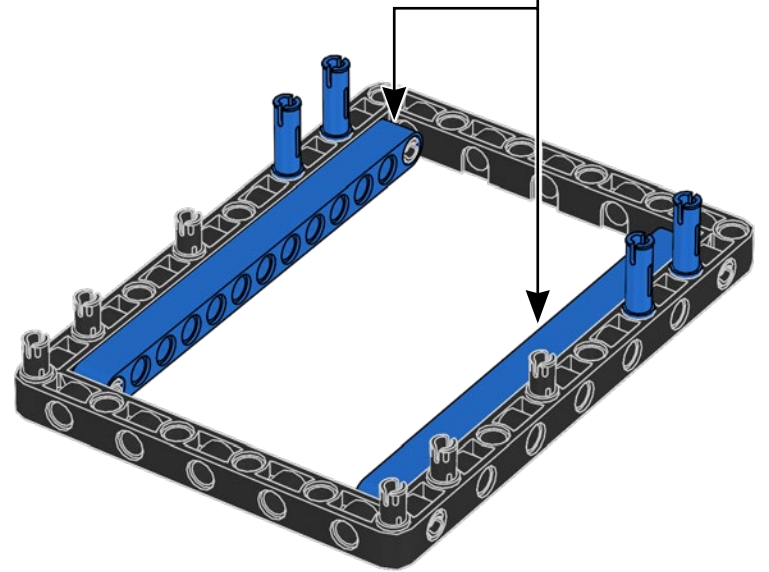
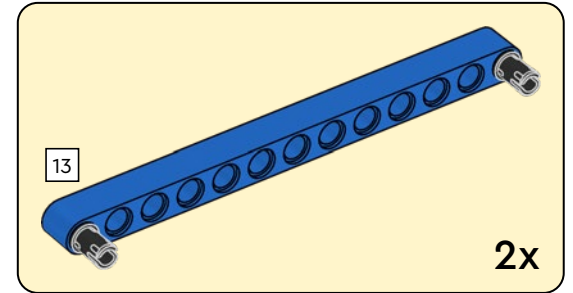


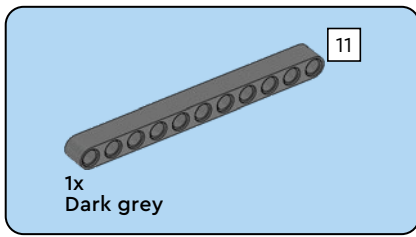


39

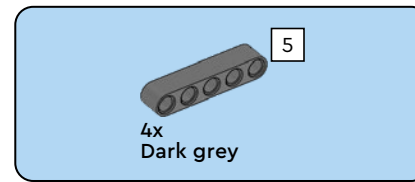
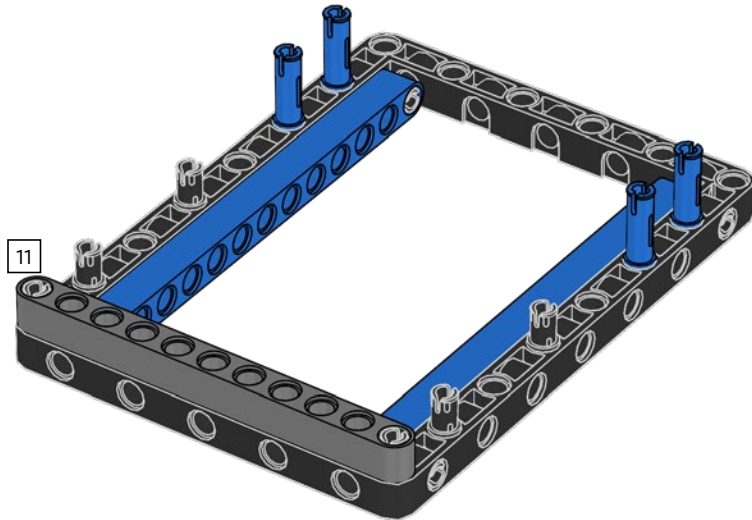


40

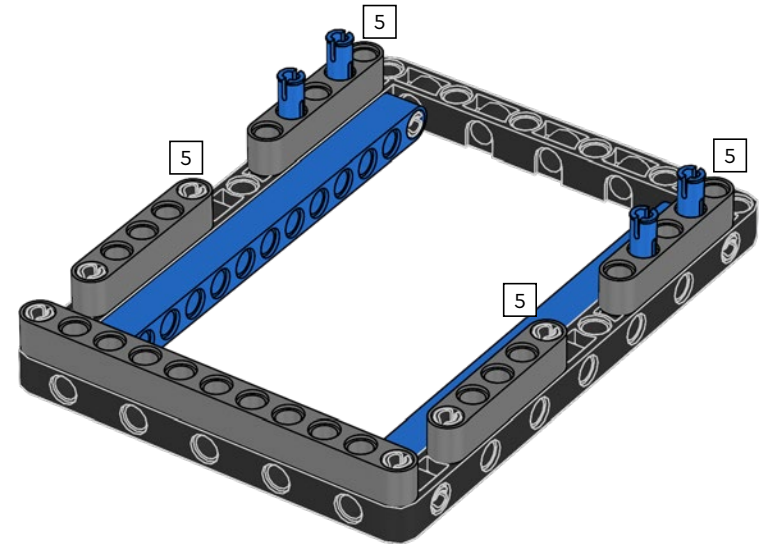




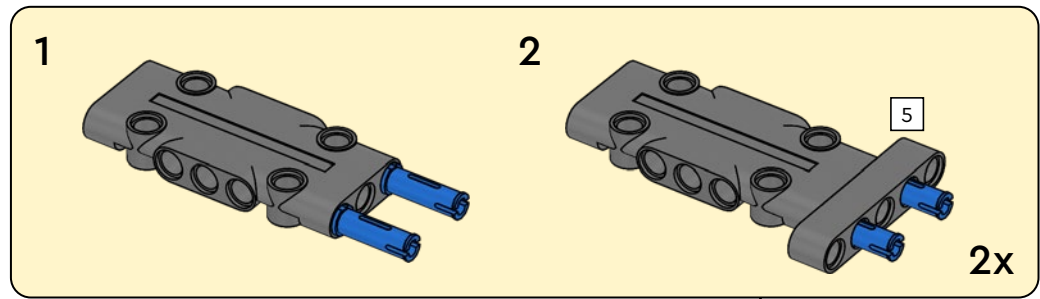
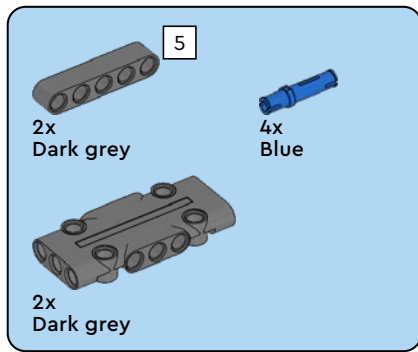
41



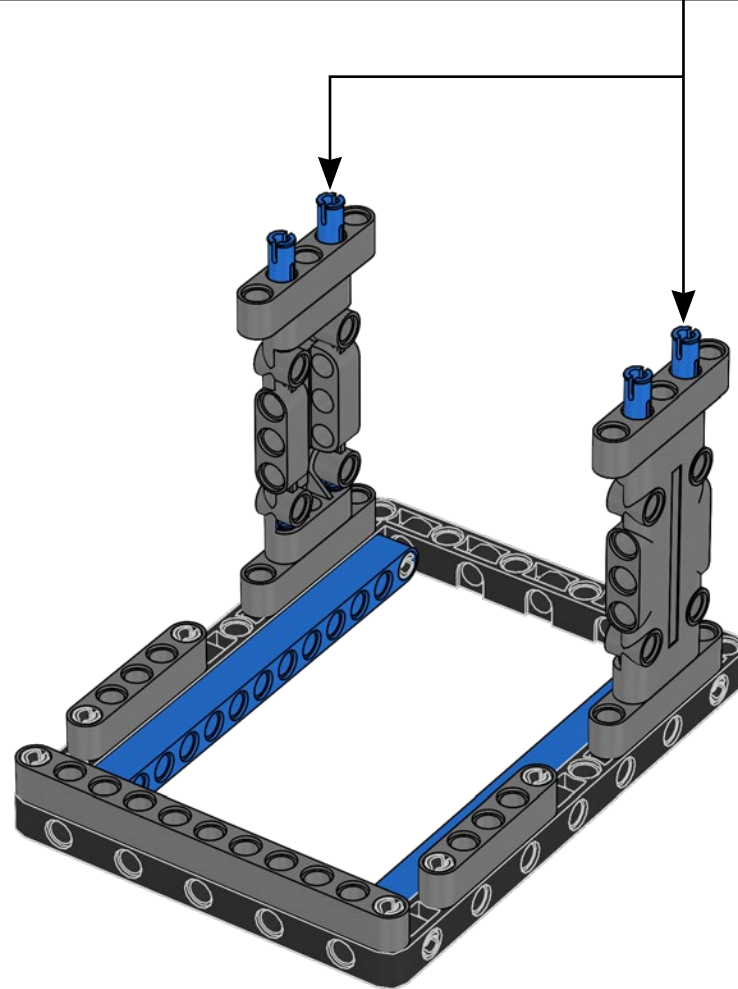
42





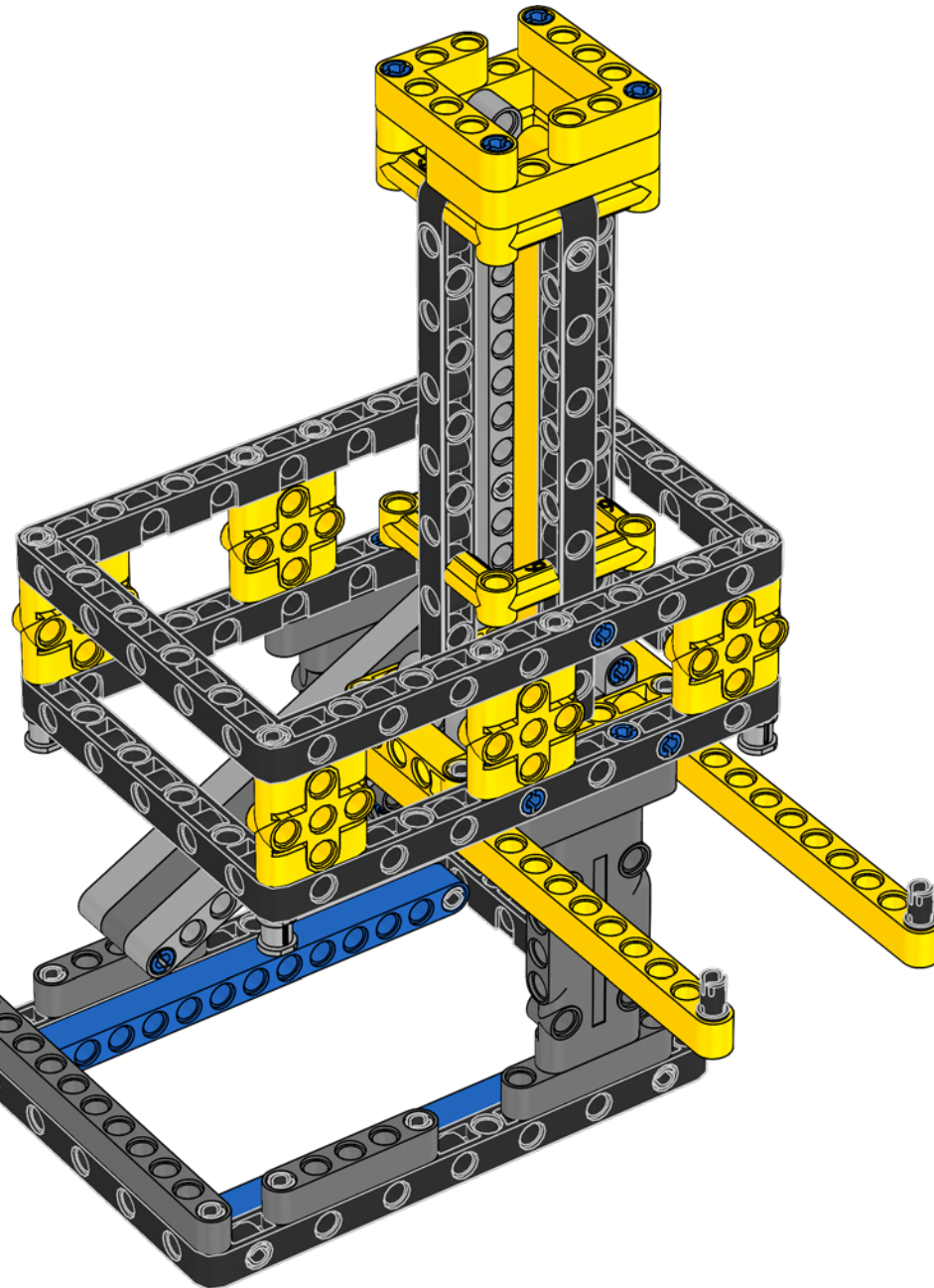


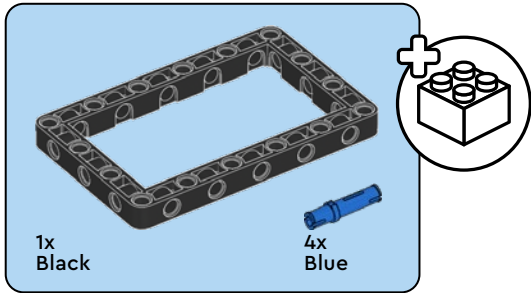
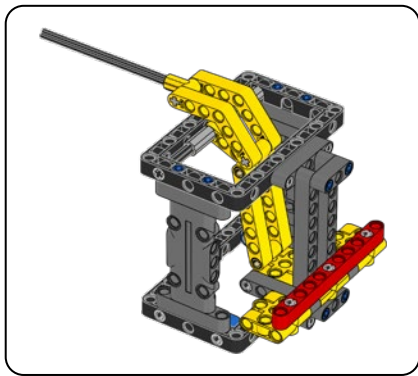
43



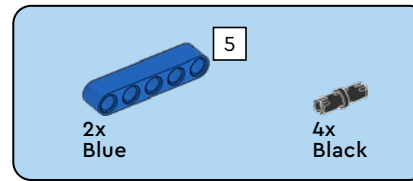
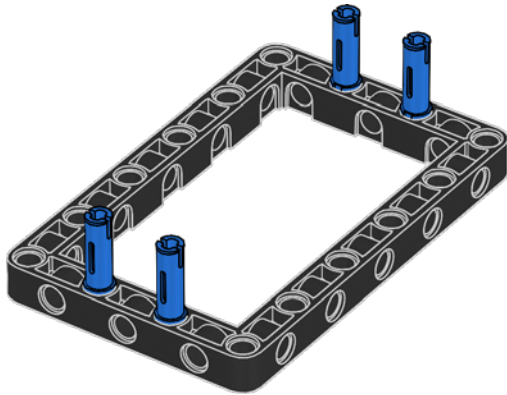


44

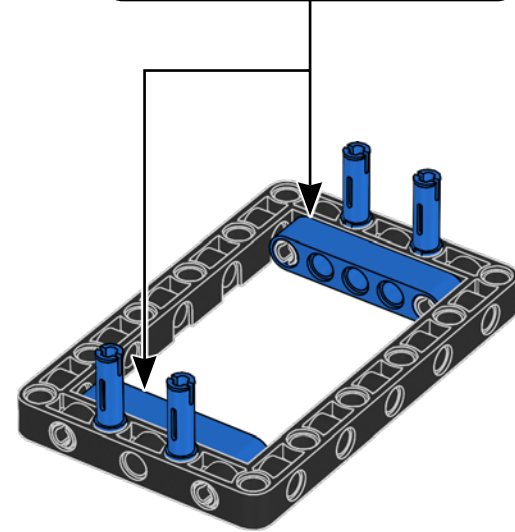
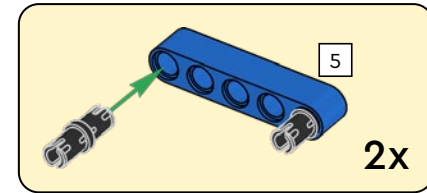


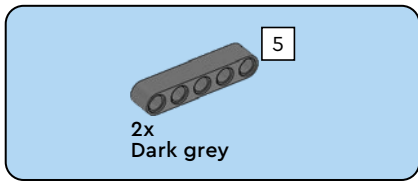


45

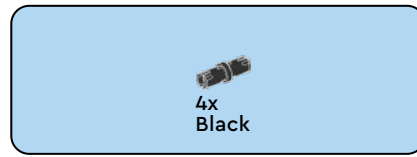
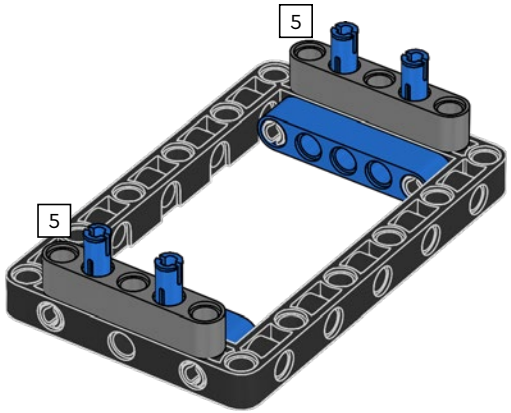


46

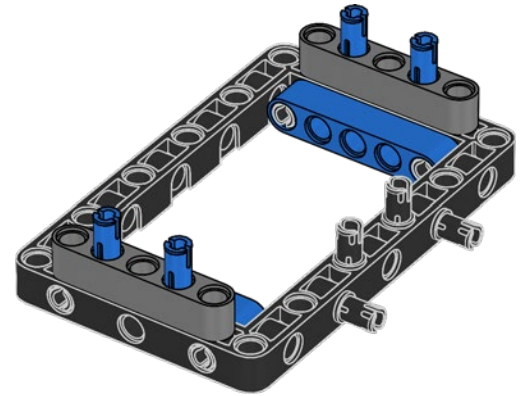




47

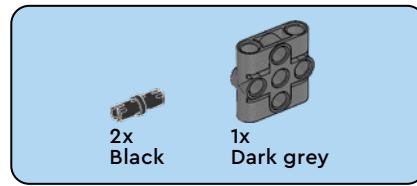
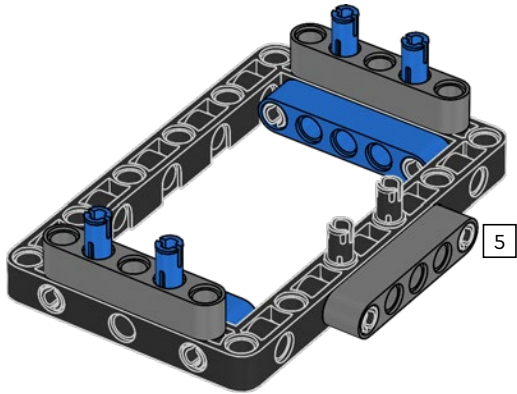


48

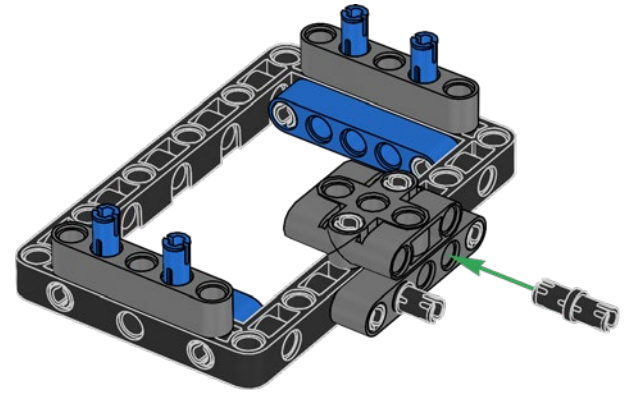


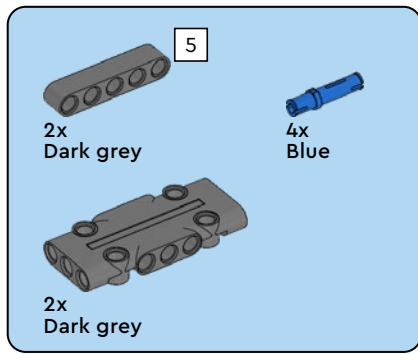


49

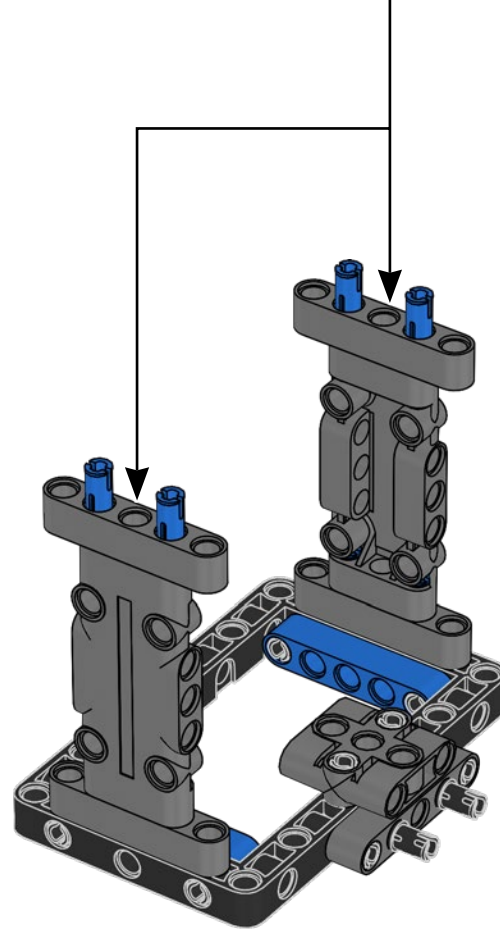
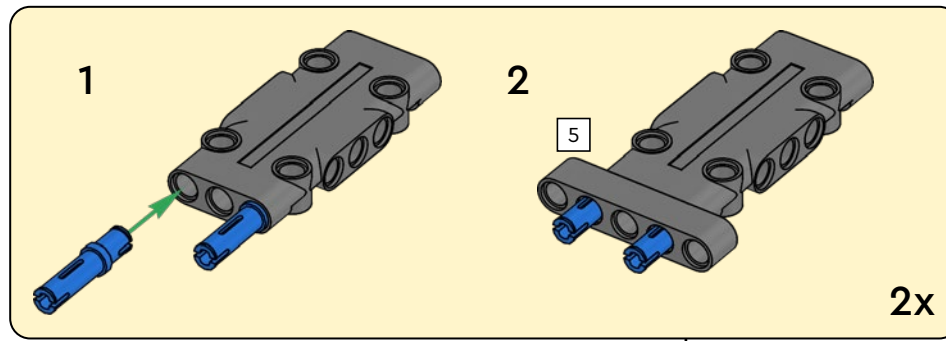


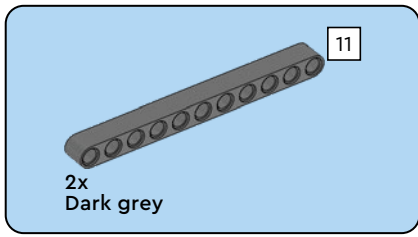
50



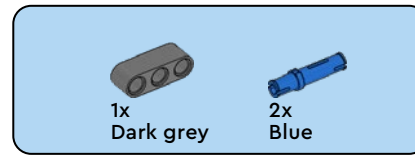
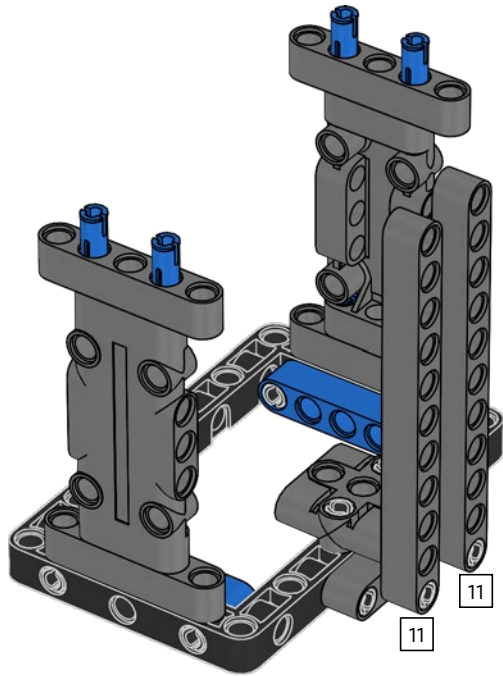


51

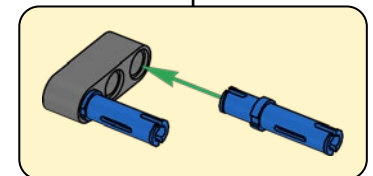
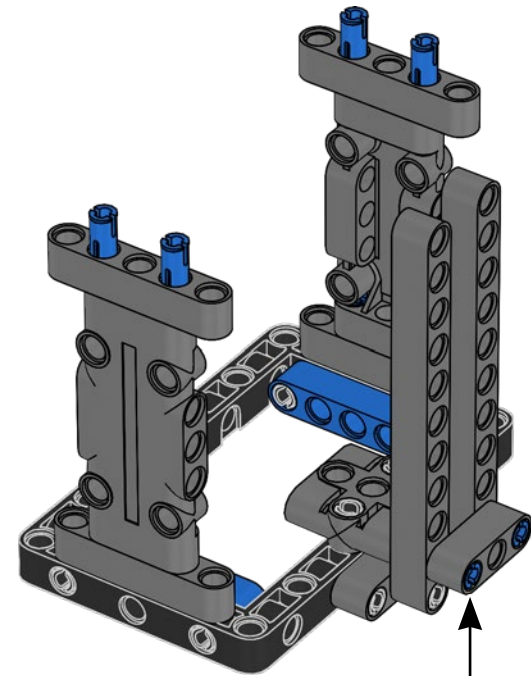


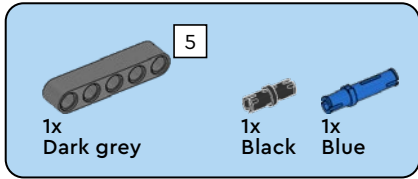
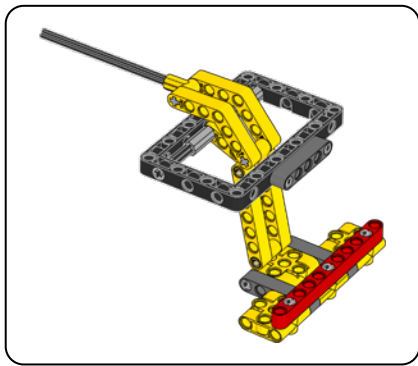


52

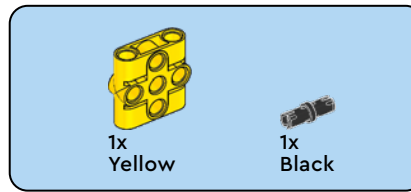
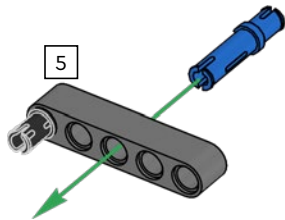


53

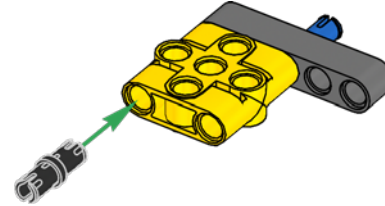




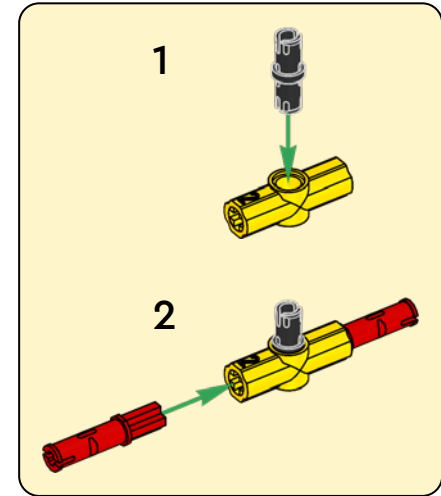
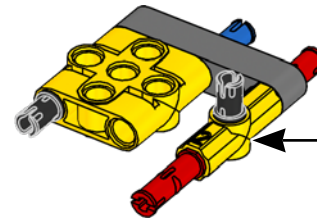
54



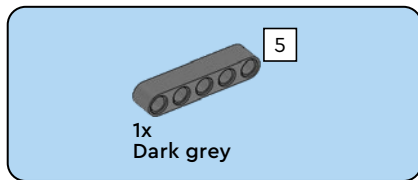
55



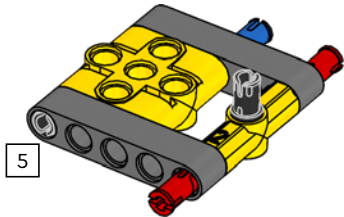
56



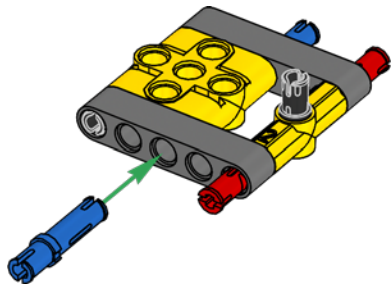




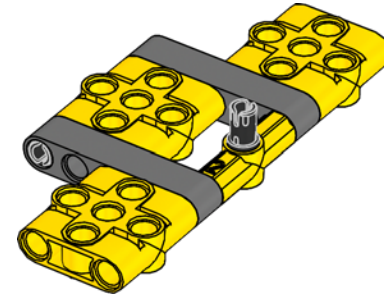
57



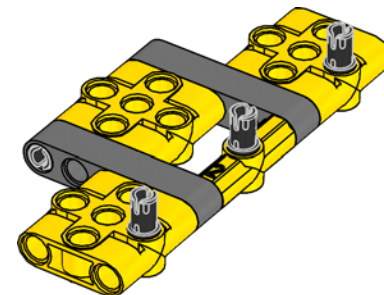
58

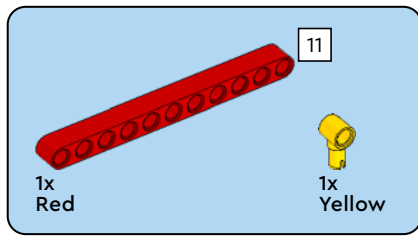


59

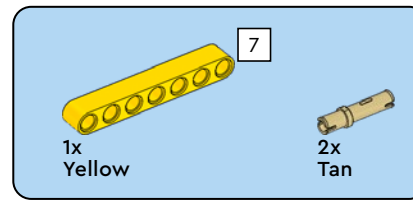
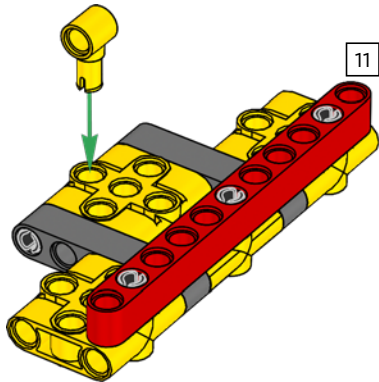


60

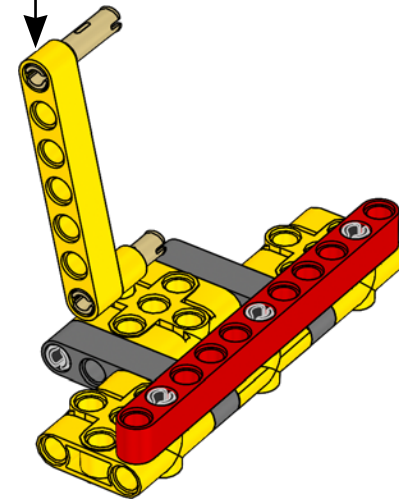
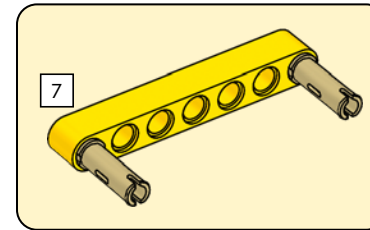


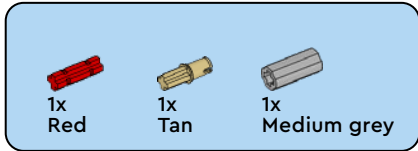
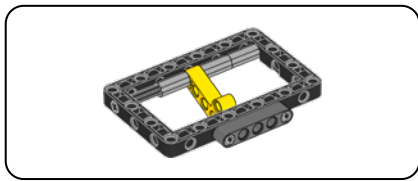


61

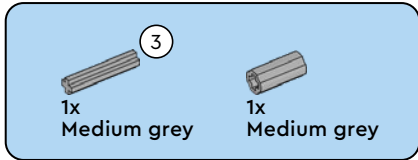
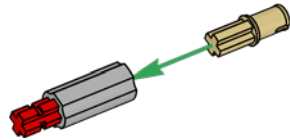


62

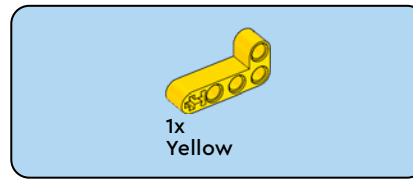
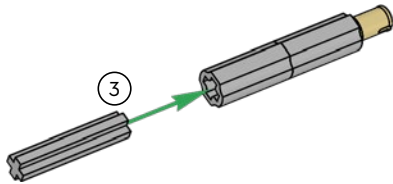




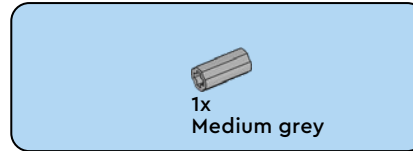
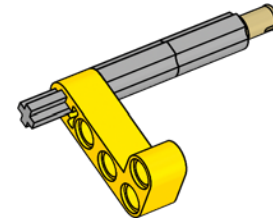
63



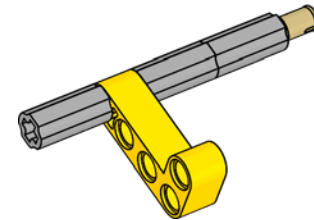
64

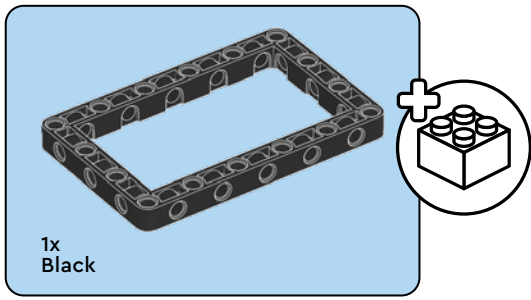


65

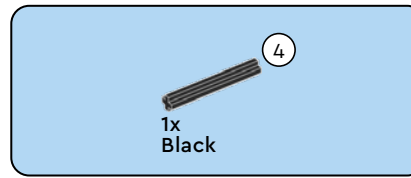
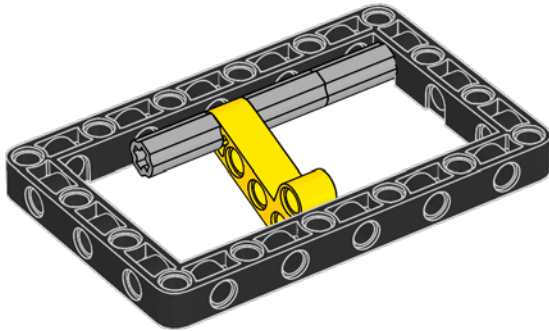


66

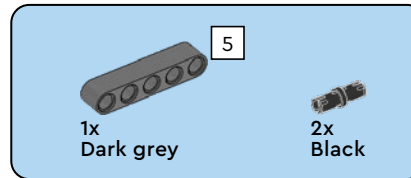
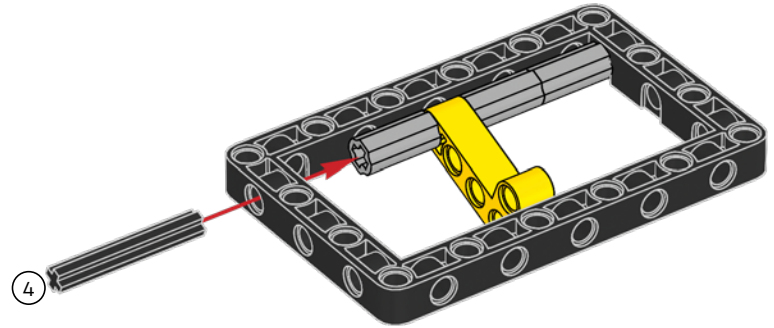




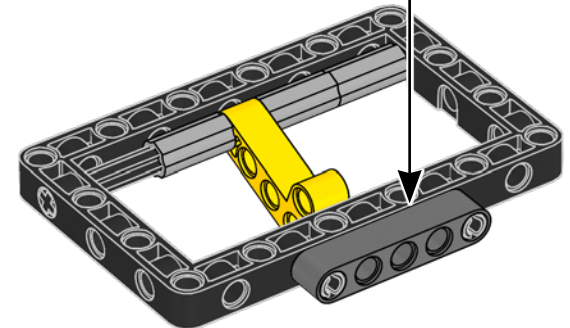
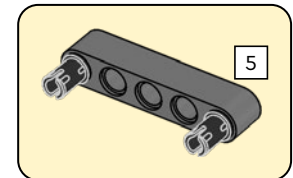
67



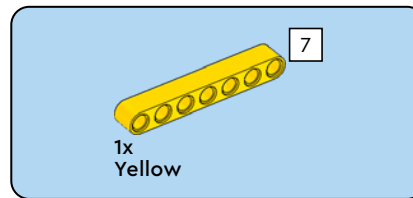
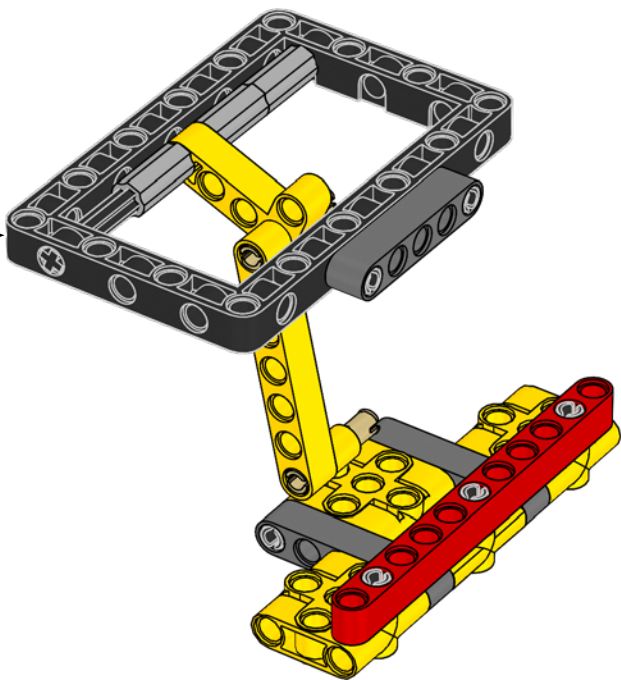
68



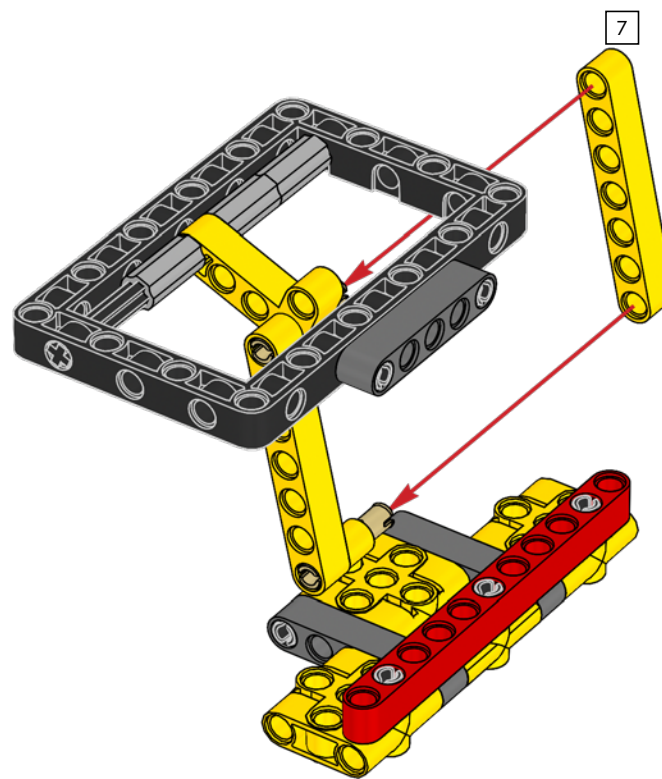
69

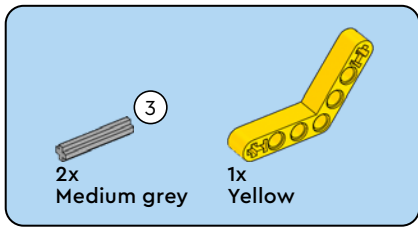


70

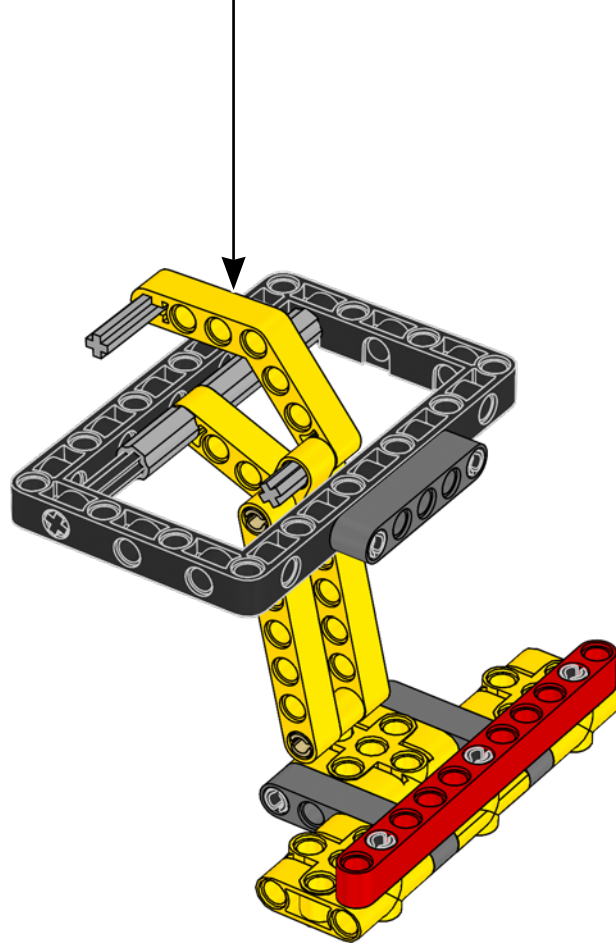
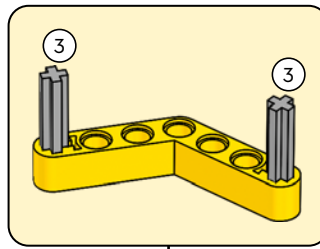


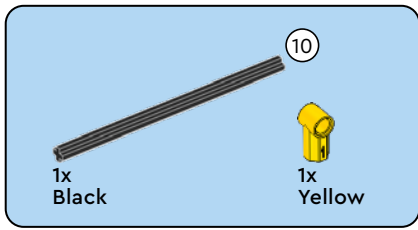
71



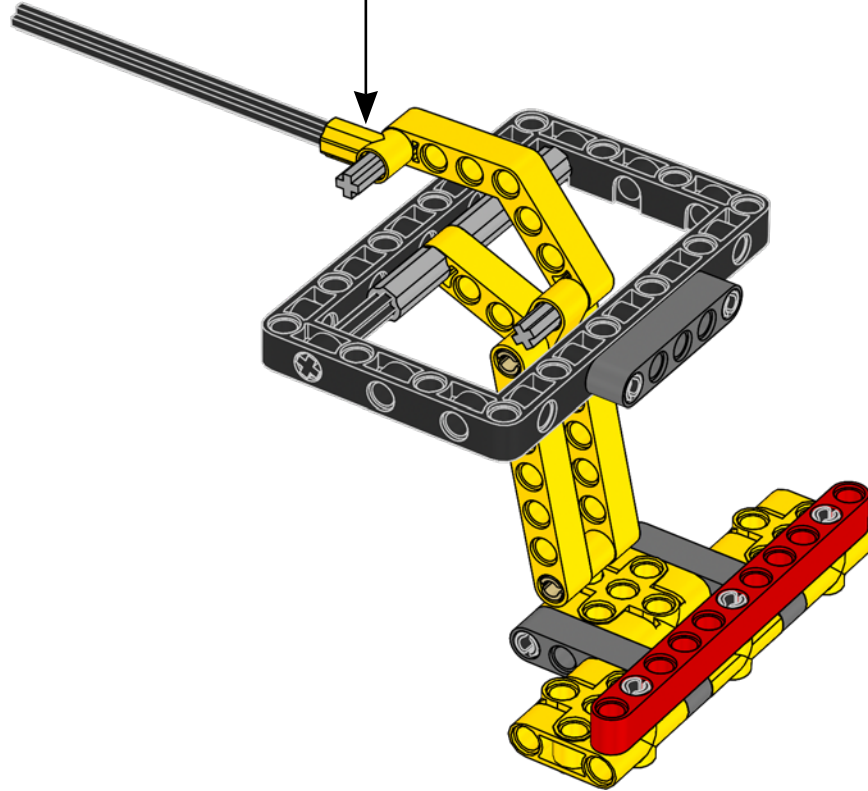
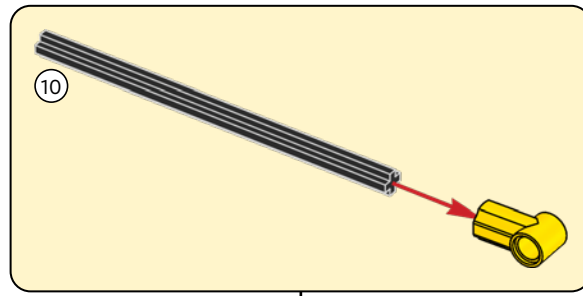


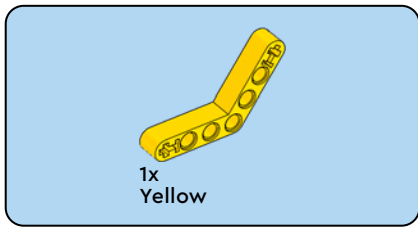
72



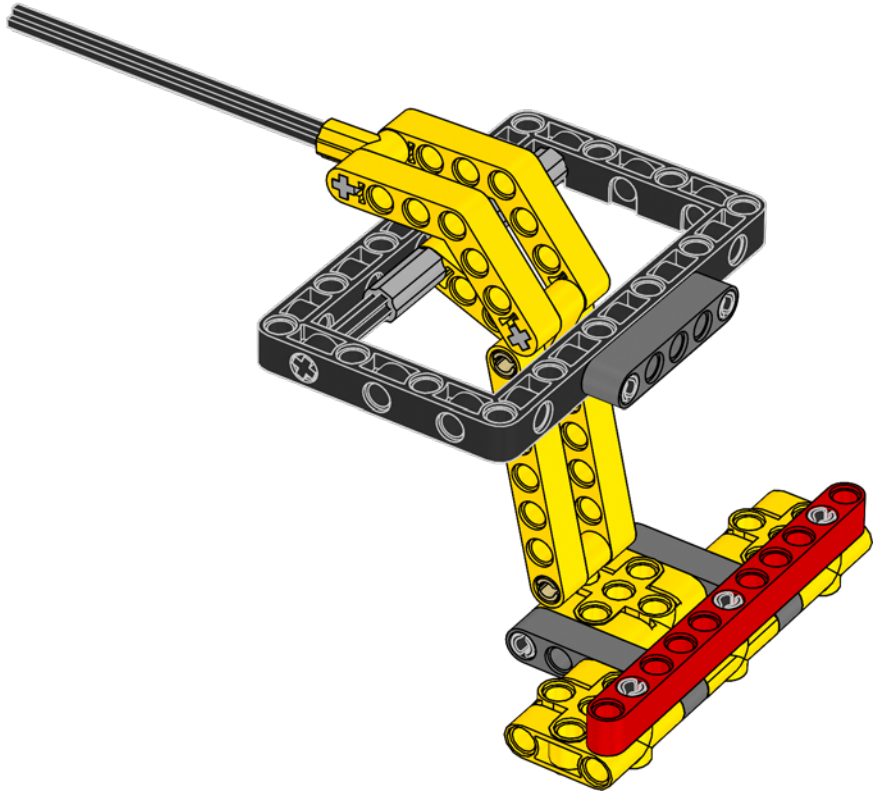


73

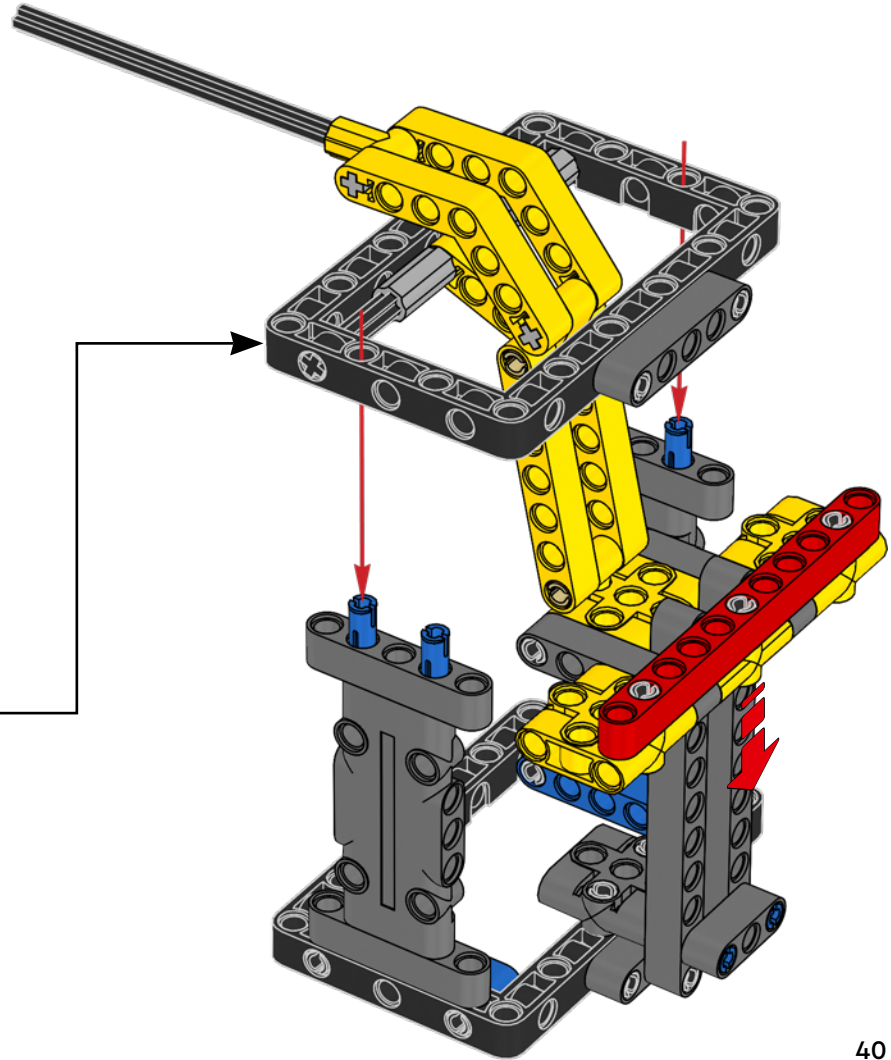




74



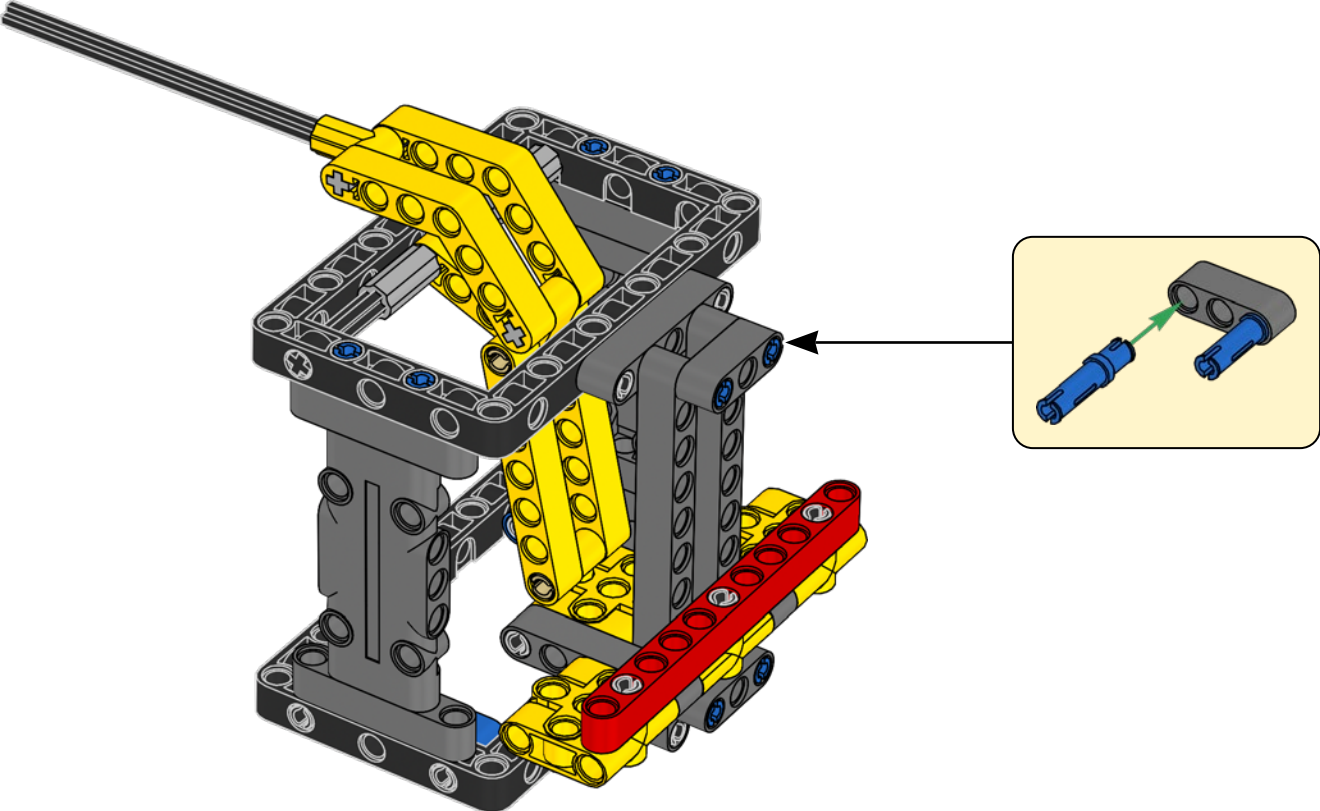
75



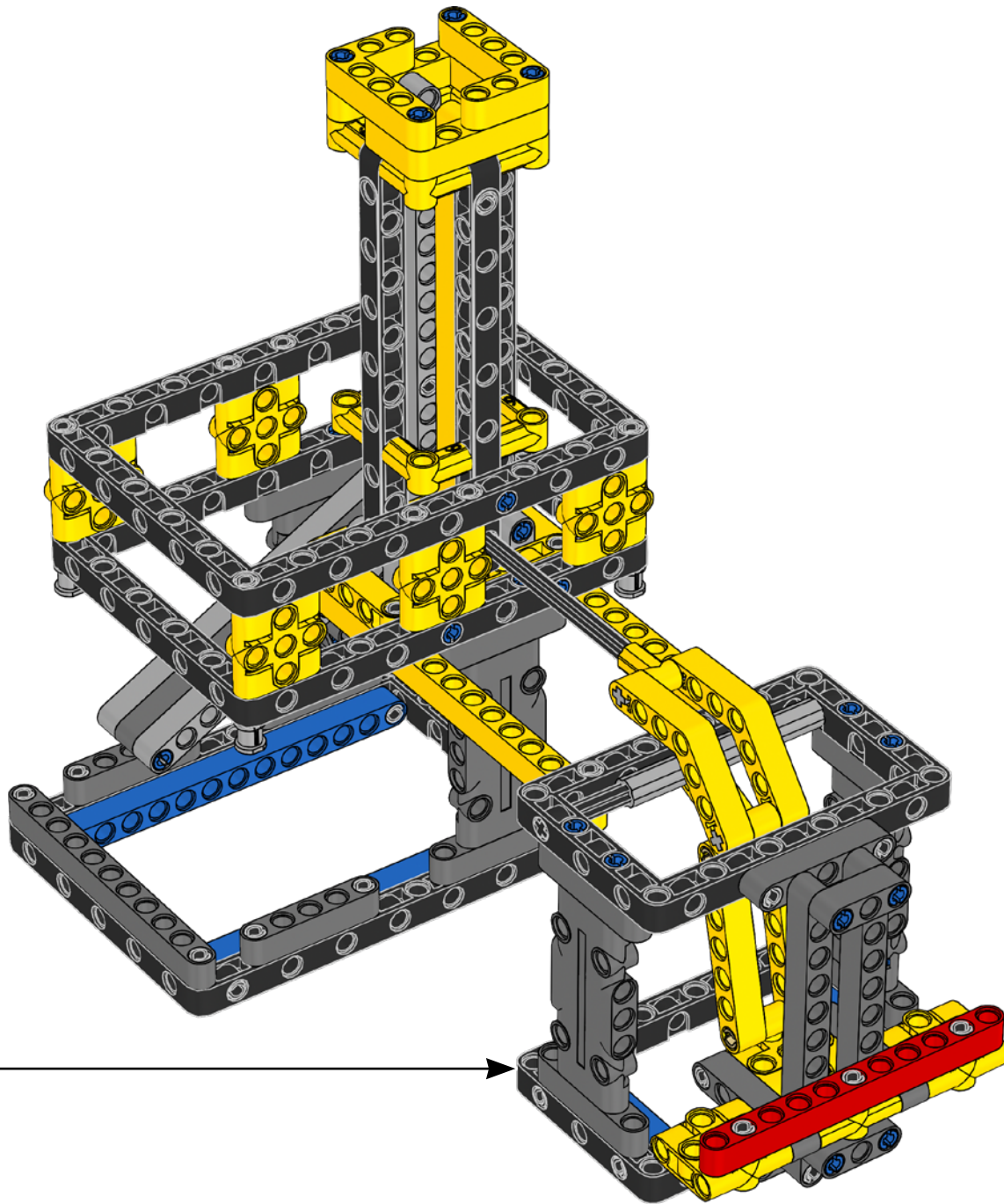


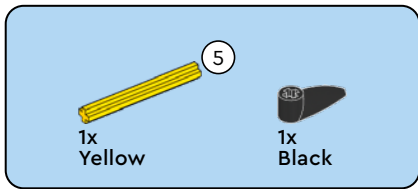
- 1x Dark grey
- 2x Blue

76

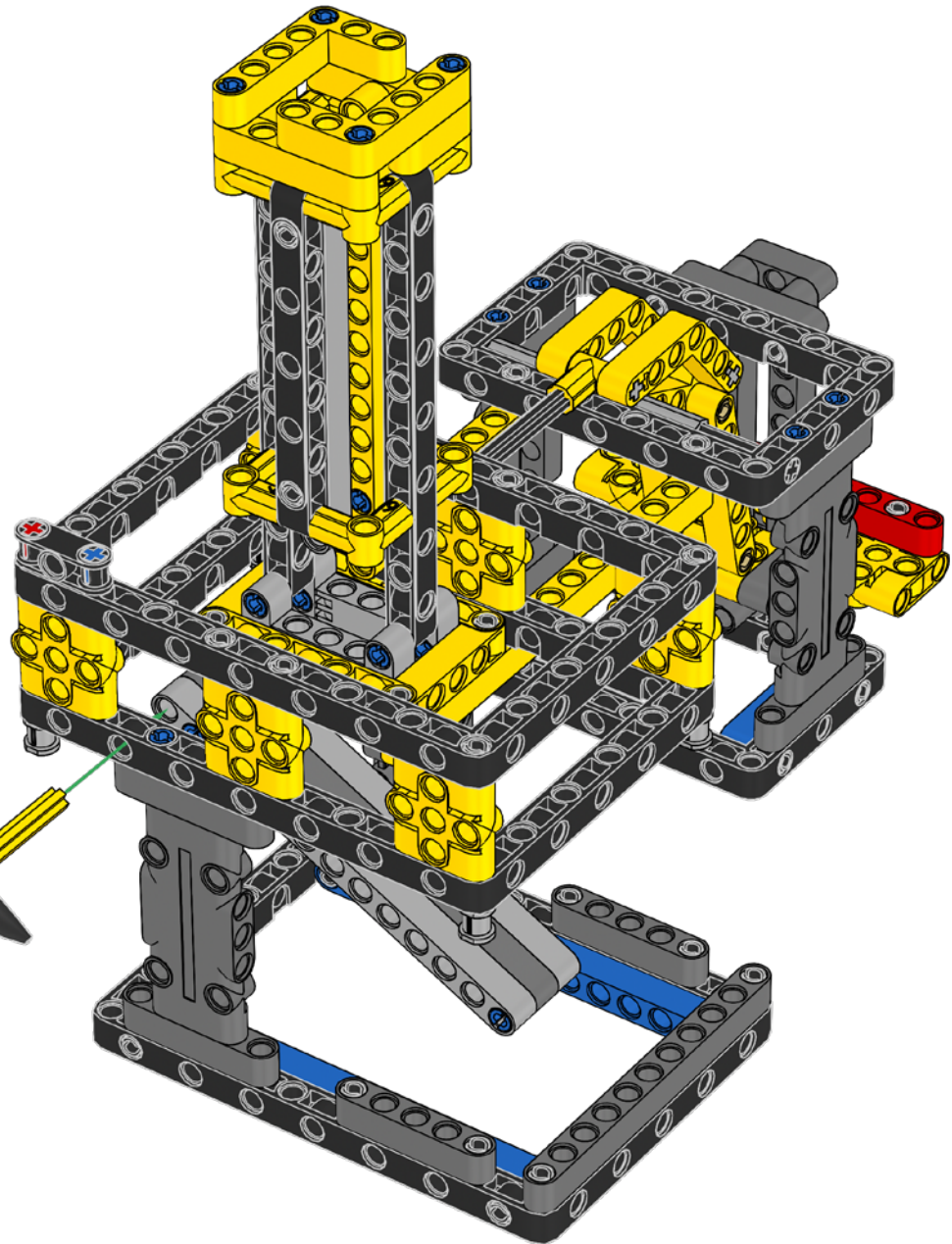
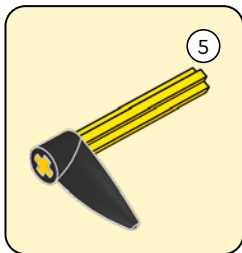
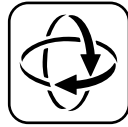


77



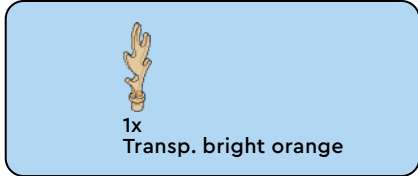


78





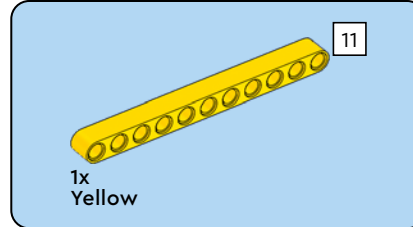
79



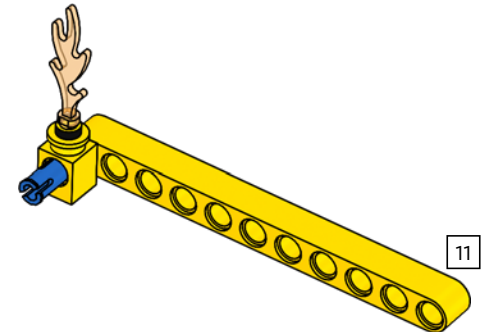
80




81



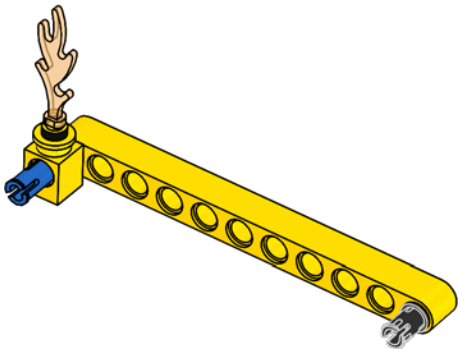
82



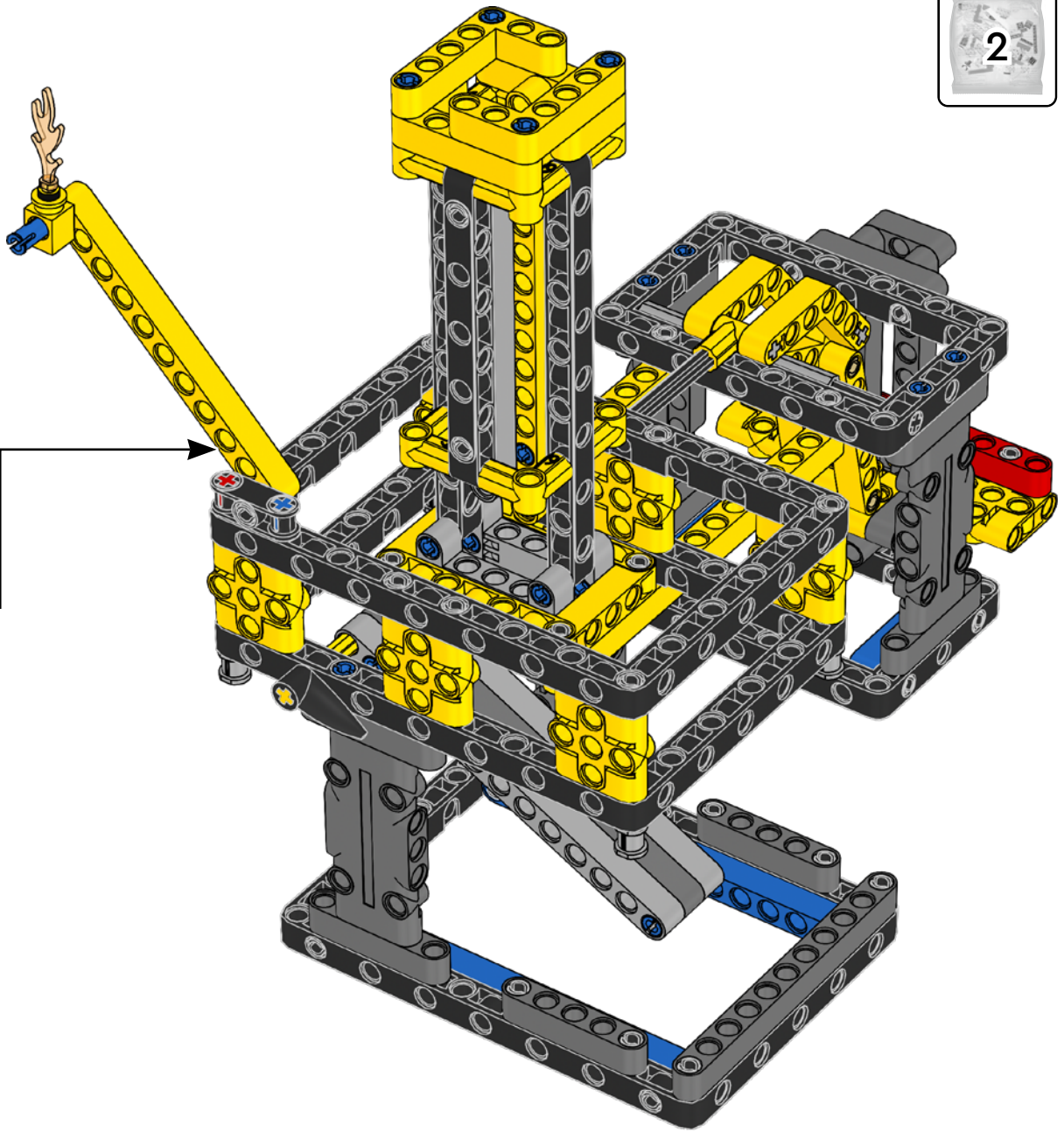
1x  
Black



83

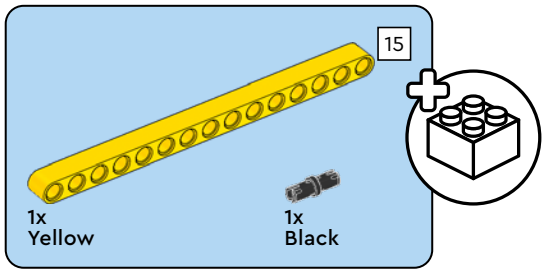


84

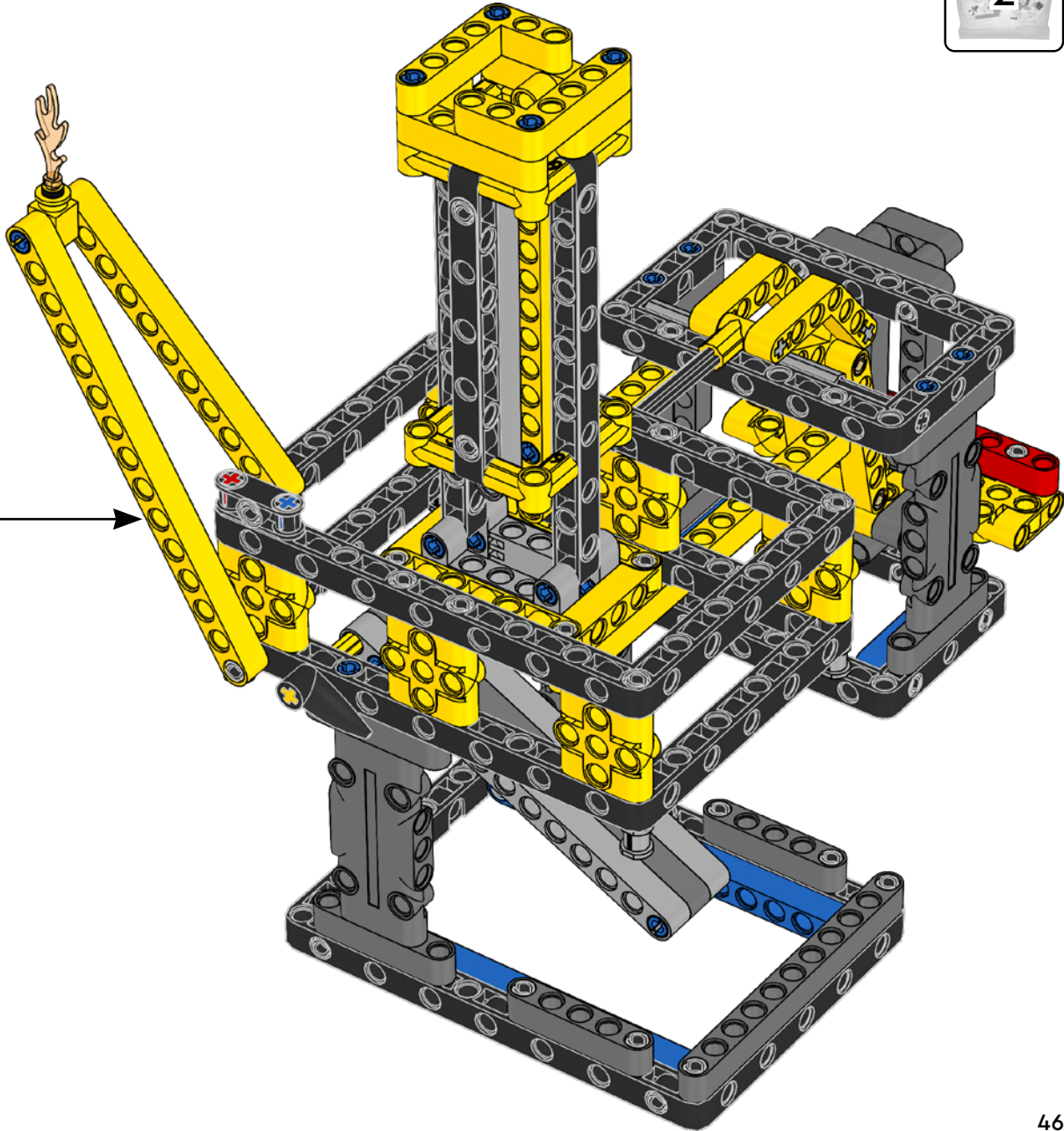
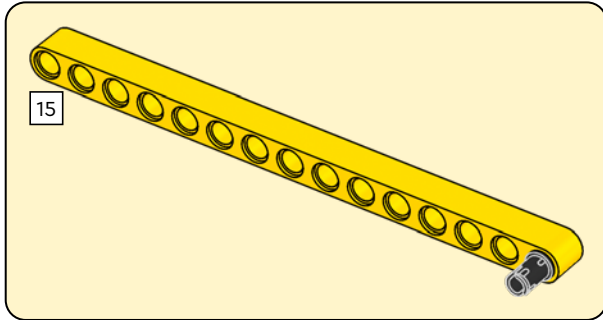


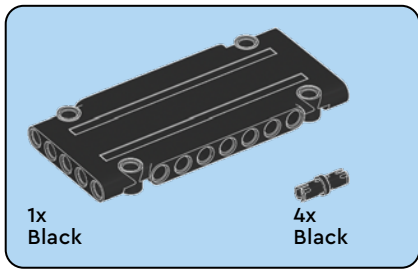
2



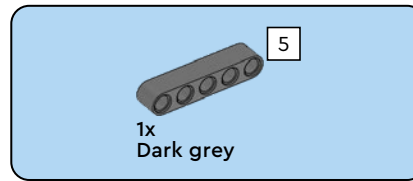
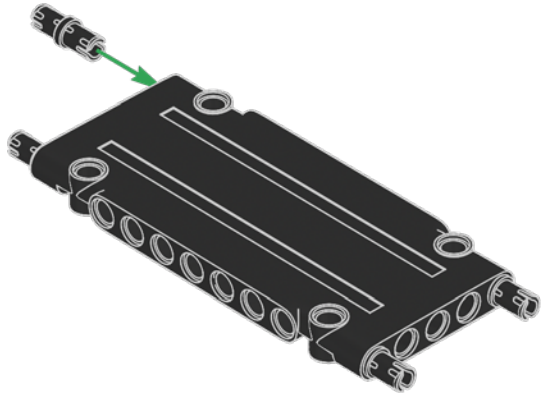


85

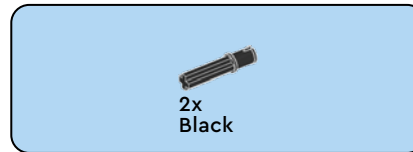
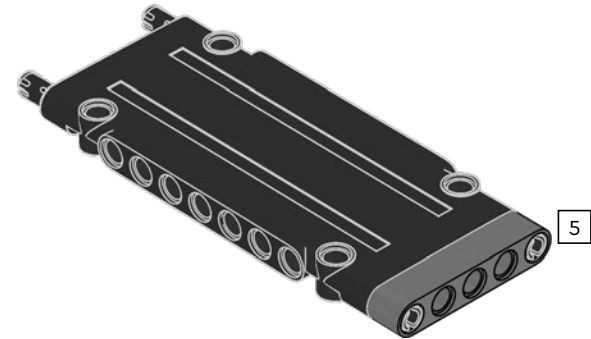




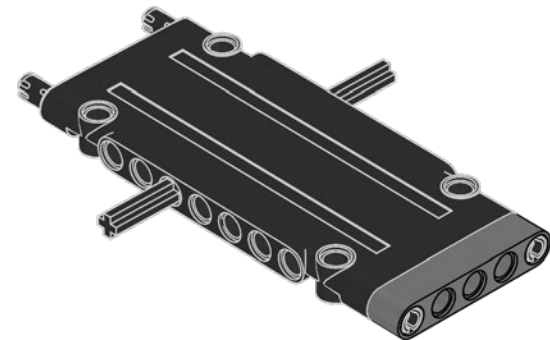
86

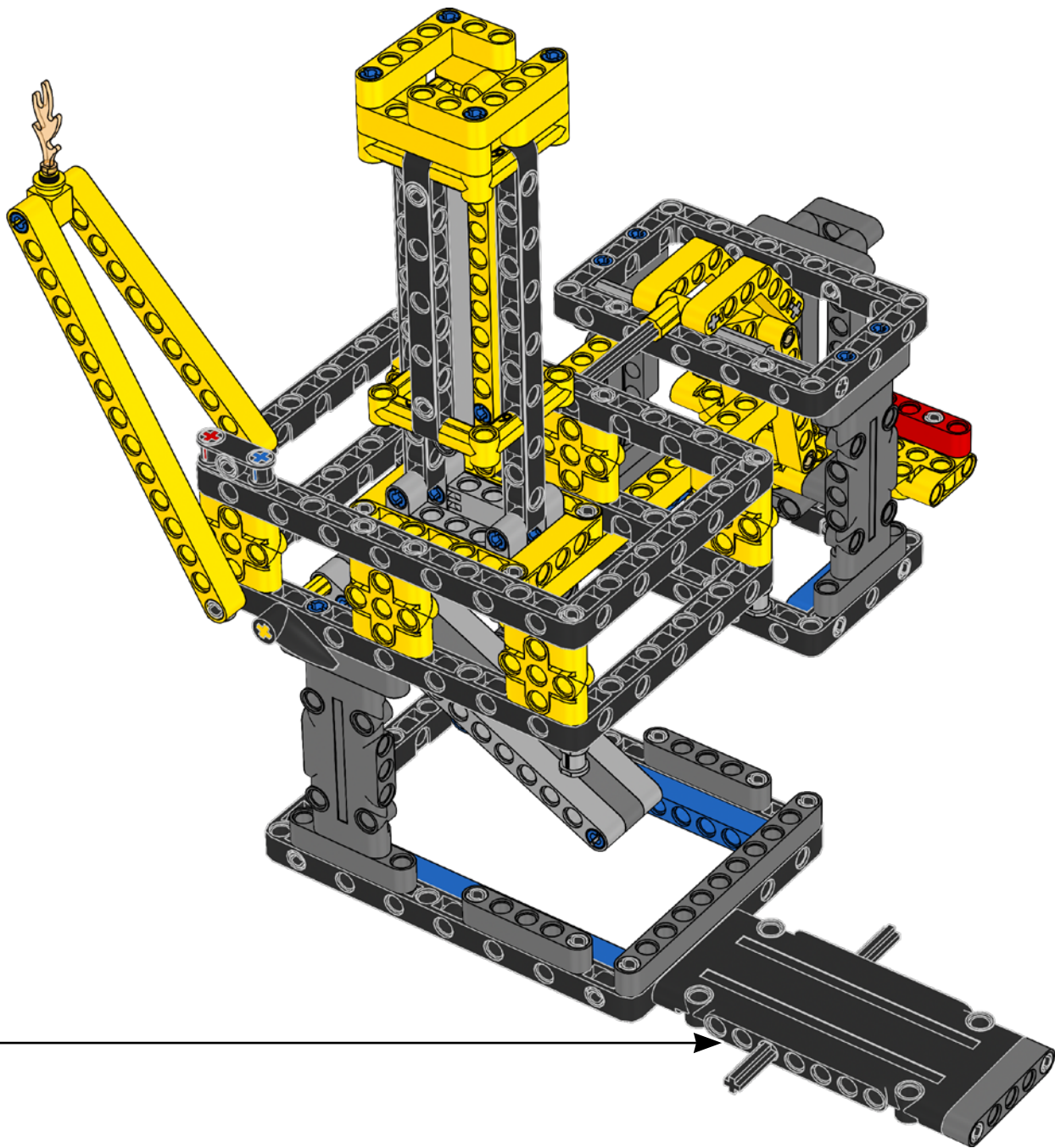


87



88





LEGO and the LEGO logo are trademarks of the/son des marques de commerce du/son marcas registradas de LEGO Group.  
©2022 The LEGO Group.  
FIRST™ is a registered trademark of For Inspiration and Recognition of Science and Technology (FIRST). LEGO® is a registered trademark of the LEGO Group. FIRST™, LEGO™, LEAGUE and SUPERPOWERED™ are jointly held trademarks of FIRST and the LEGO Group.  
©2022 FIRST and the LEGO Group. All rights reserved.