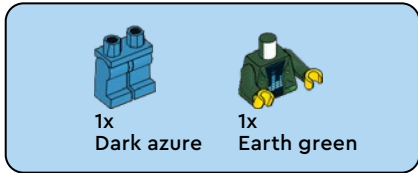
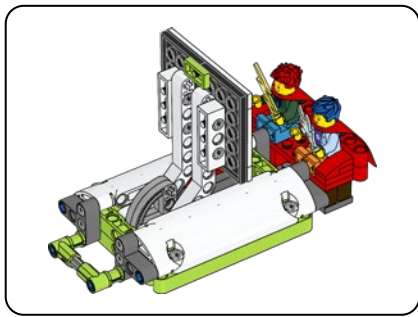
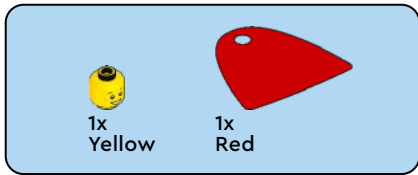
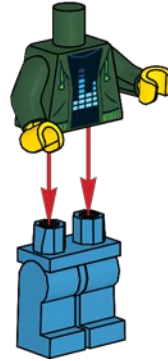


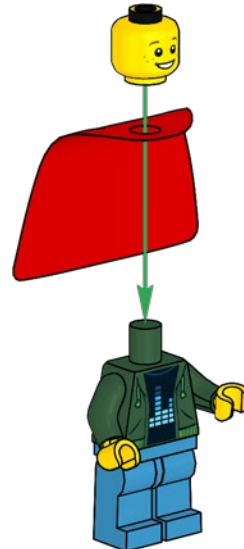
45820

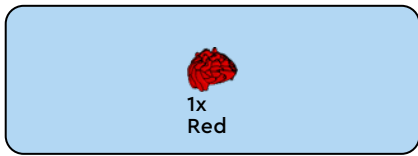


1

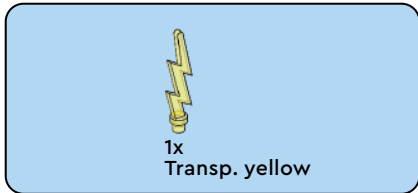


2





3

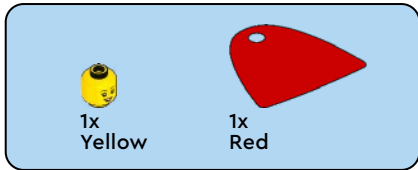
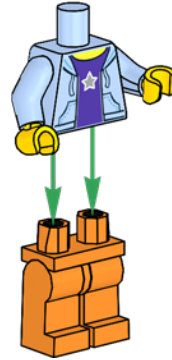


4

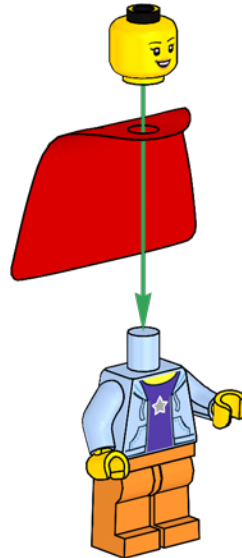




1



2





1x  
Blue

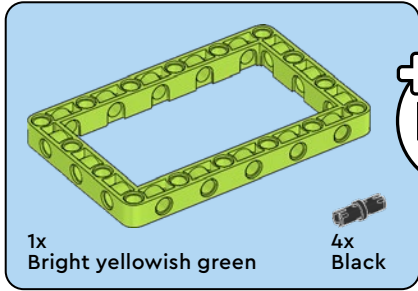
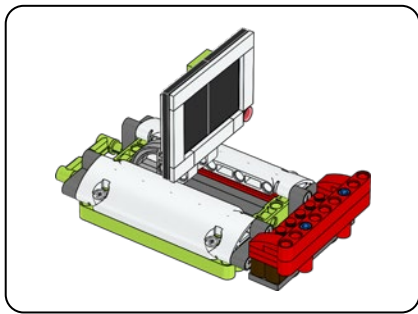
3



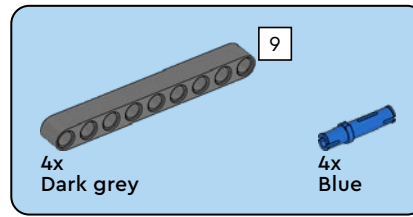
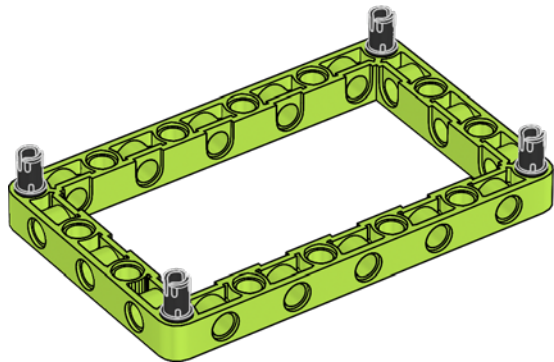
1x  
Transp. light blue w glitter

4

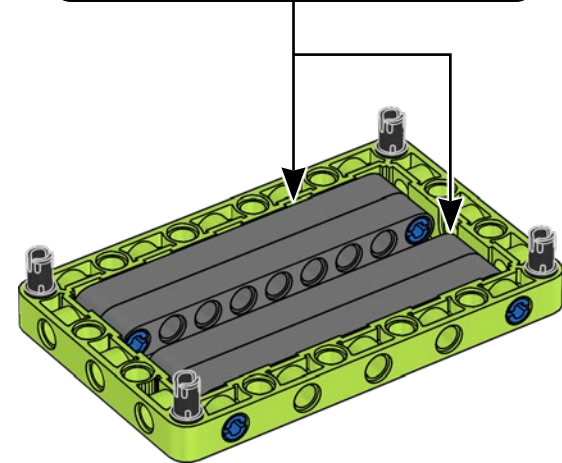
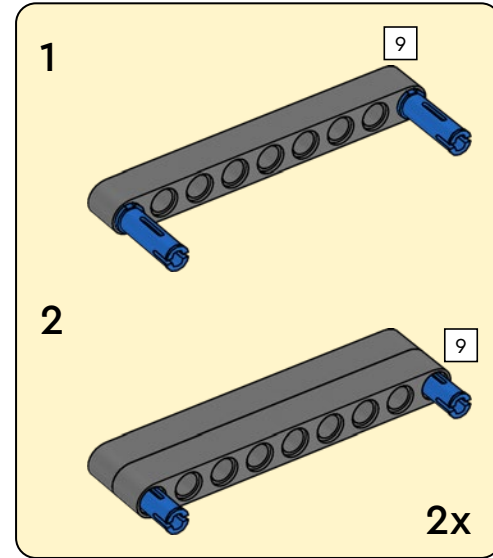


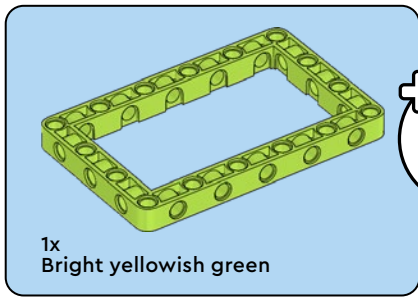


1



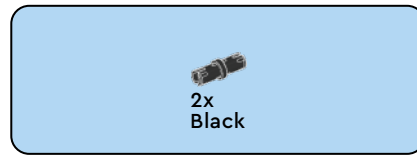
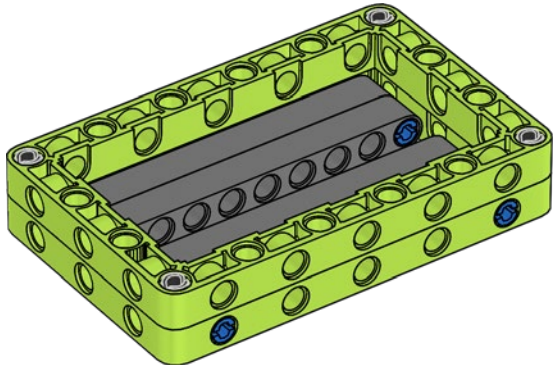
2





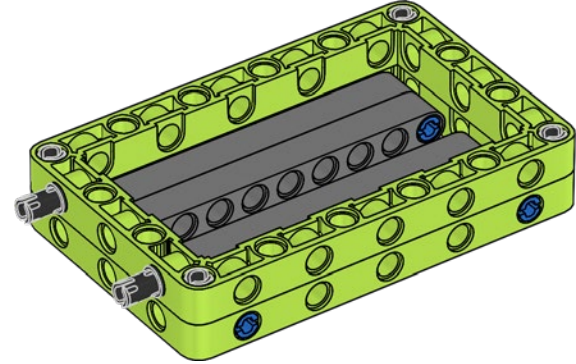
1x  
Bright yellowish green

3



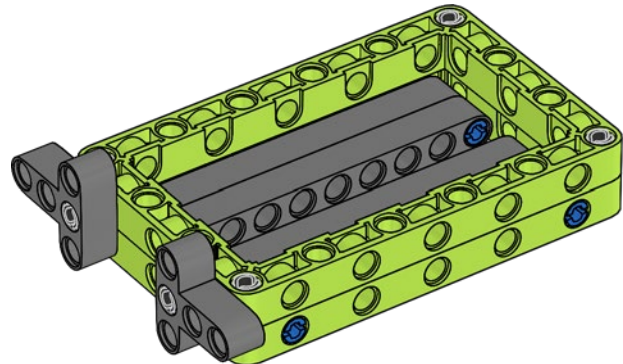
2x  
Black

4



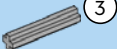



2x  
Dark grey

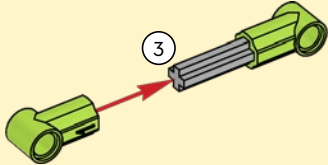
5

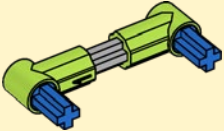


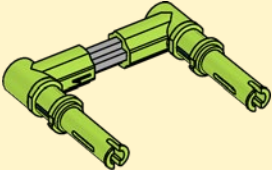


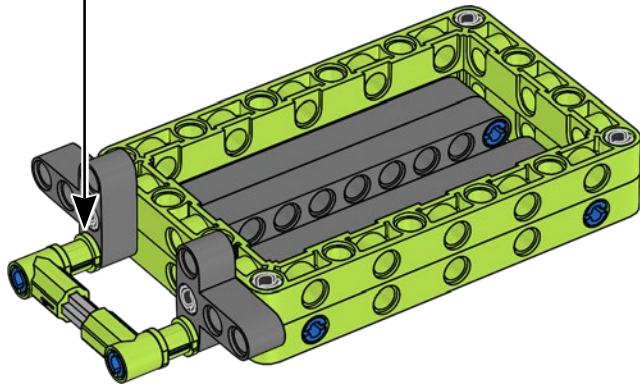
 2x Blue	 2x Bright yellowish green
 1x Medium grey	 2x Bright yellowish green

# 6

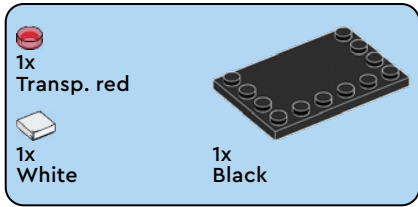
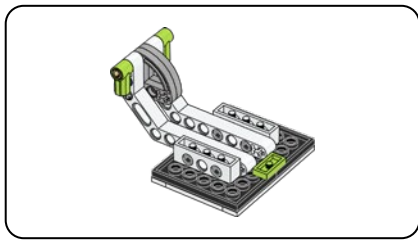
1 

2 

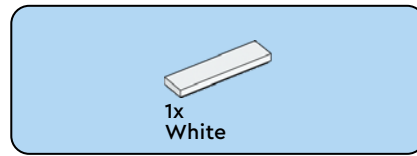
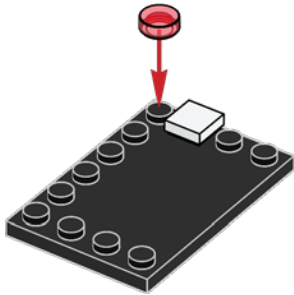
3 



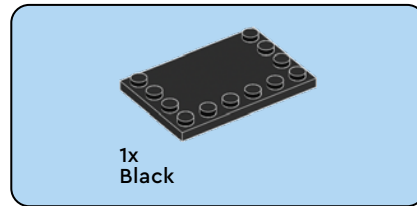
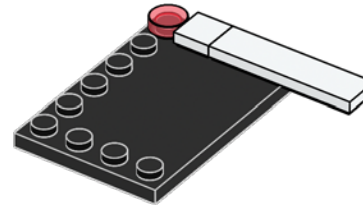




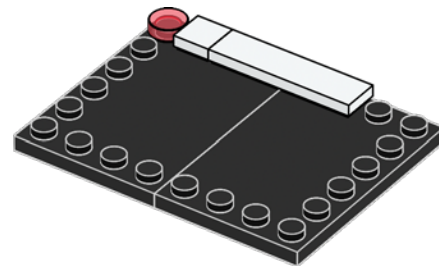
7

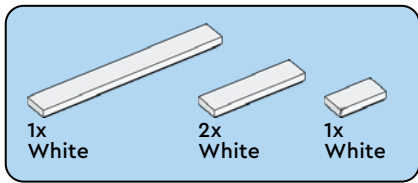


8

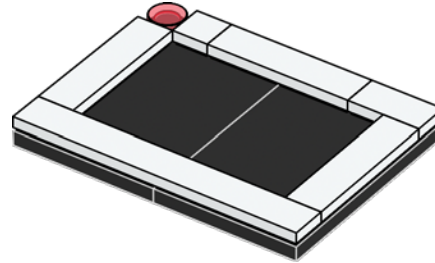


9

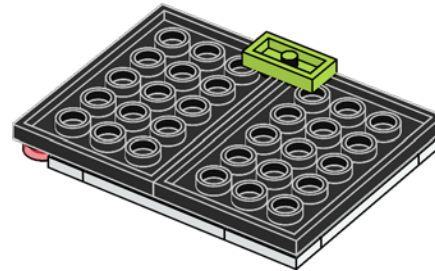


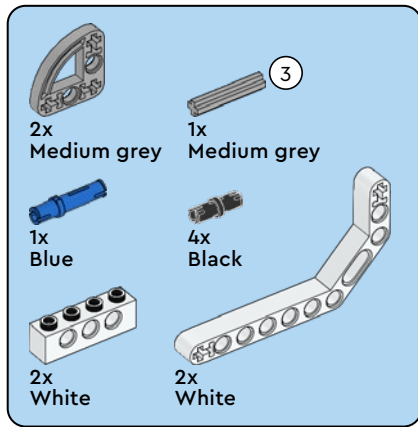


10

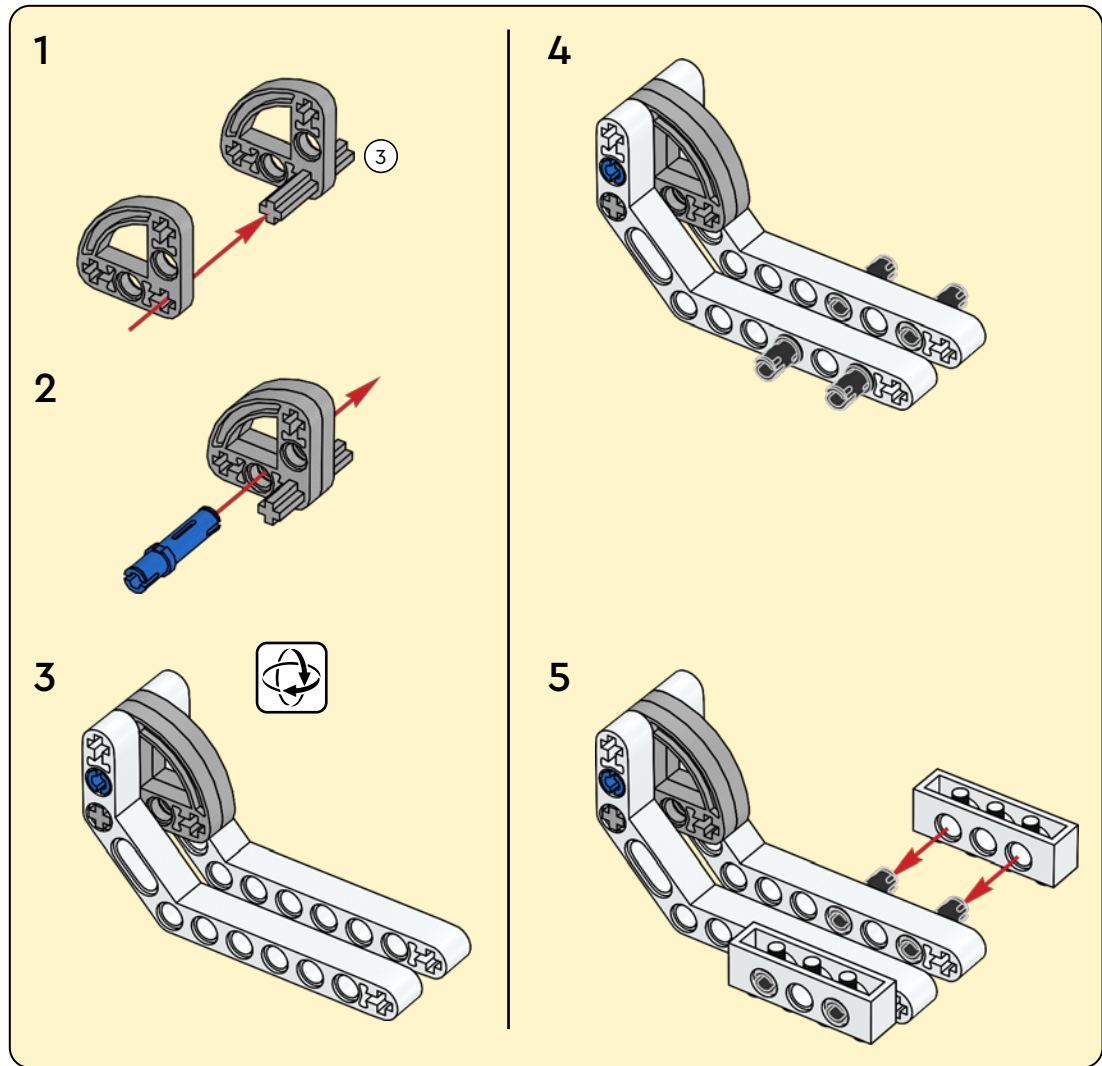
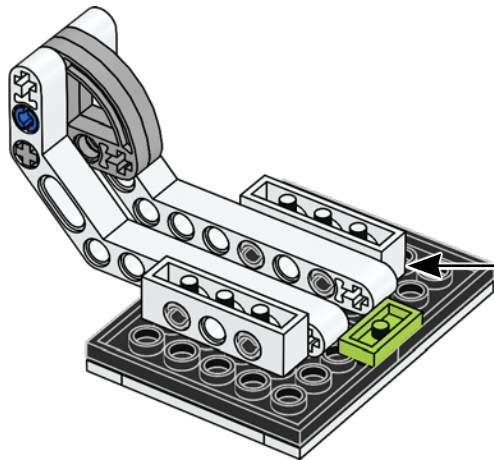


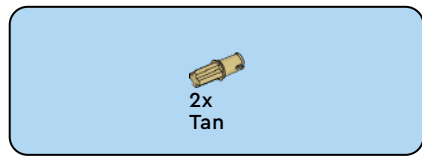
11



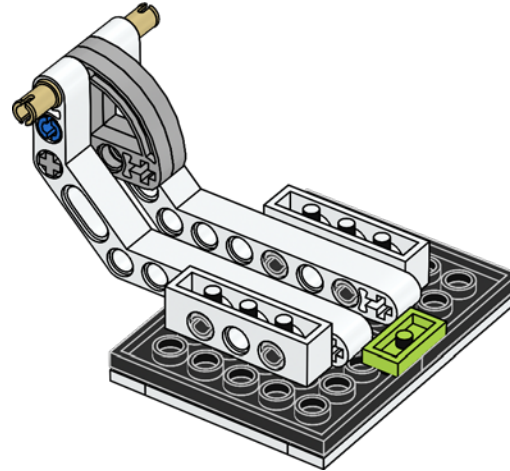


12

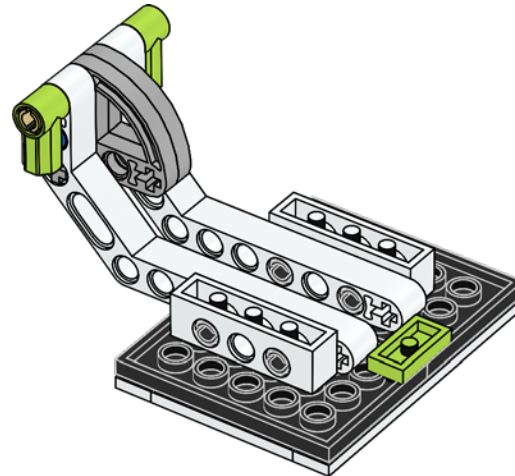


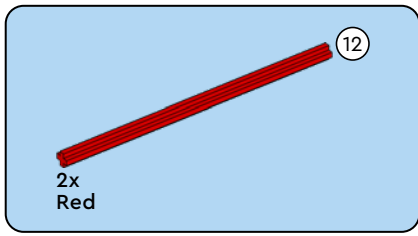


13

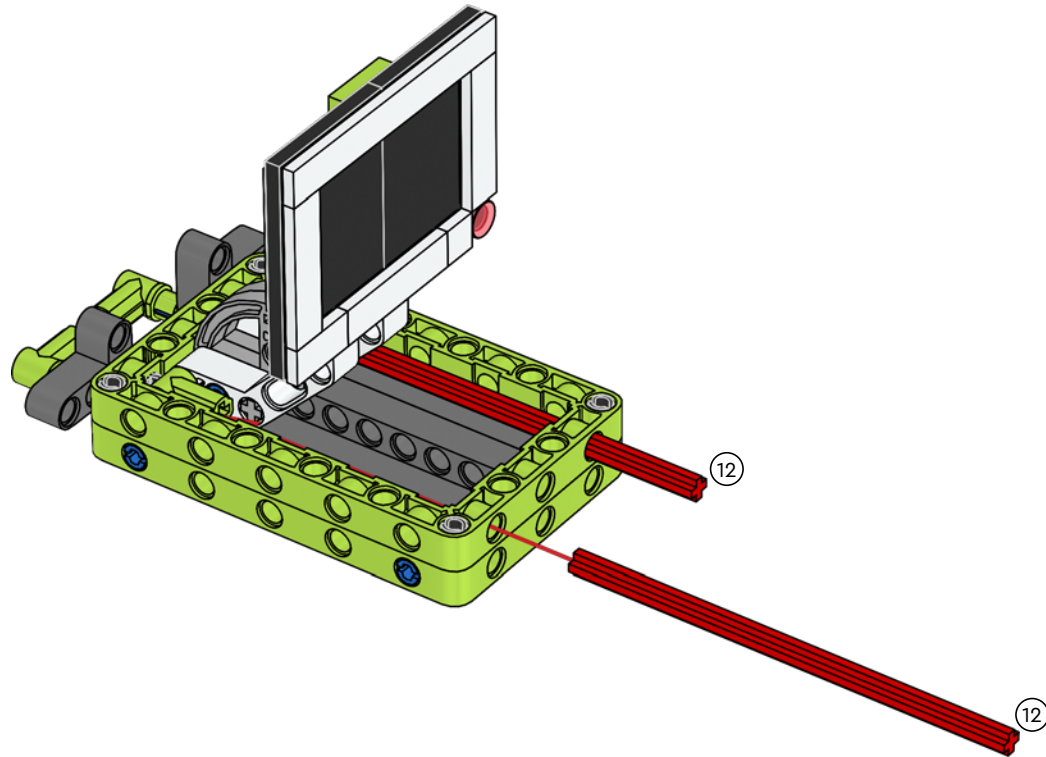


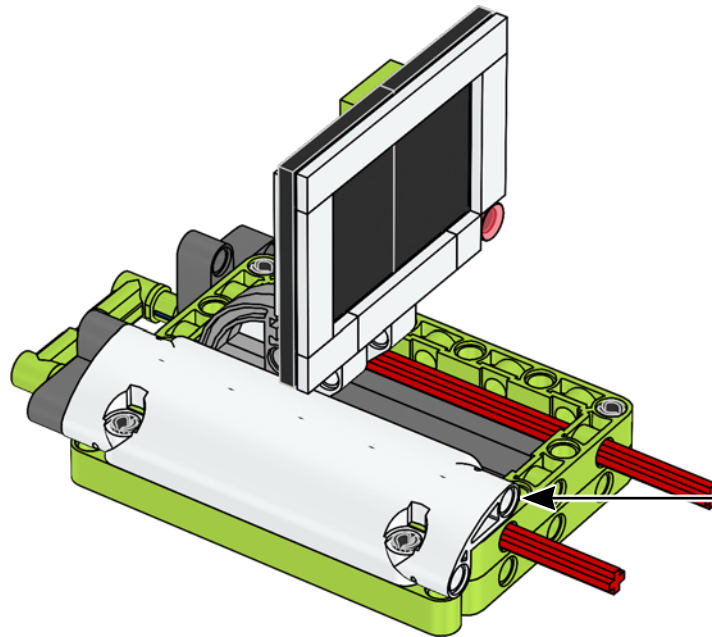
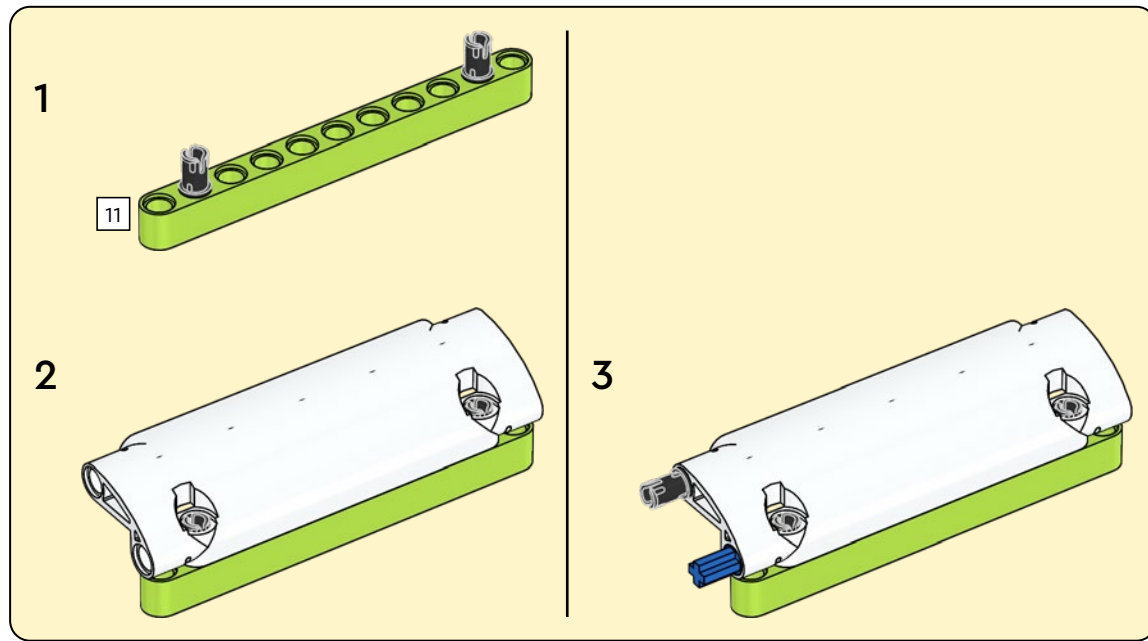
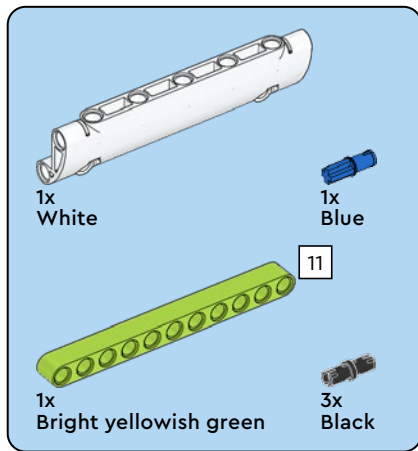
14

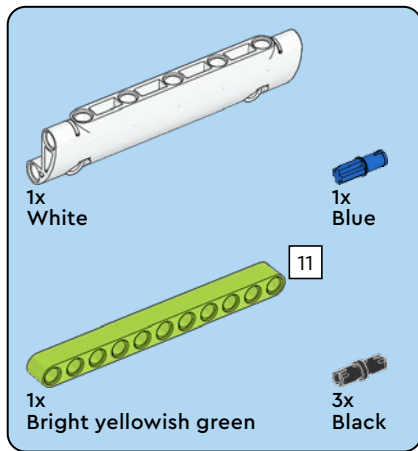




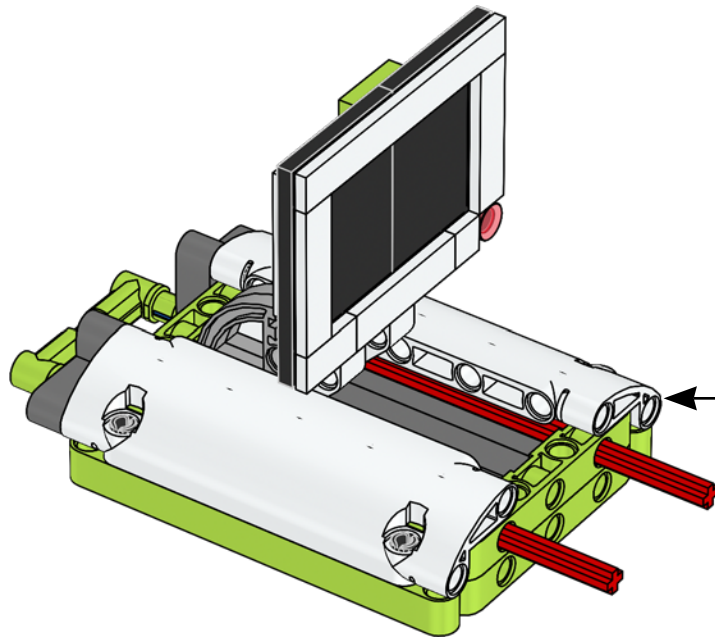
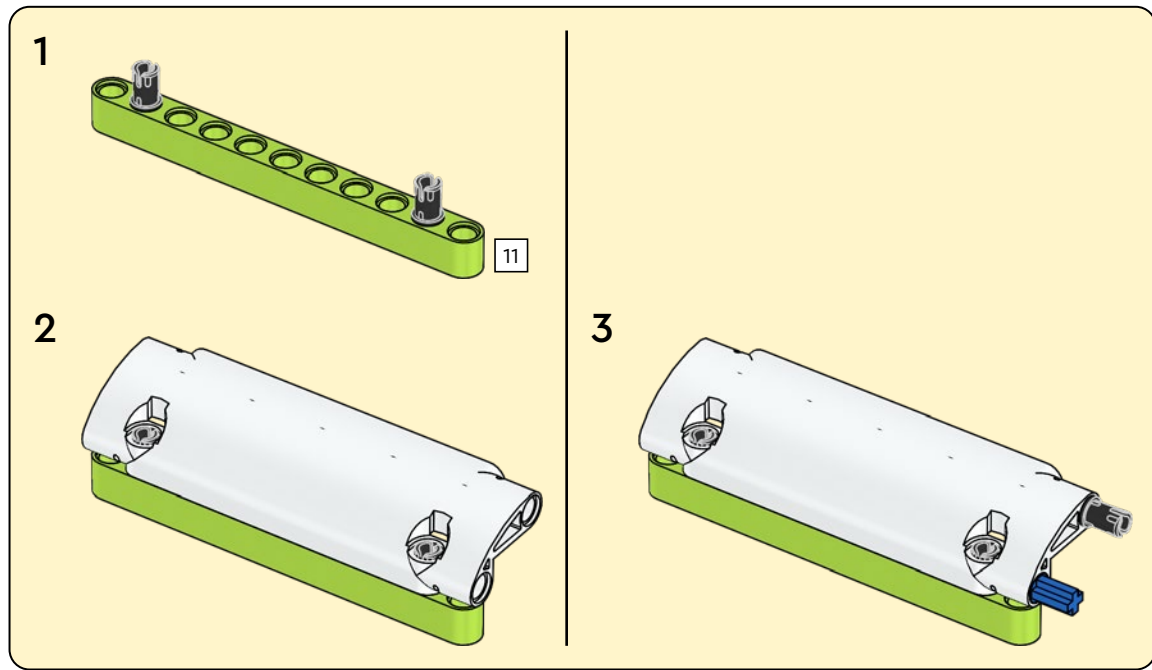
15







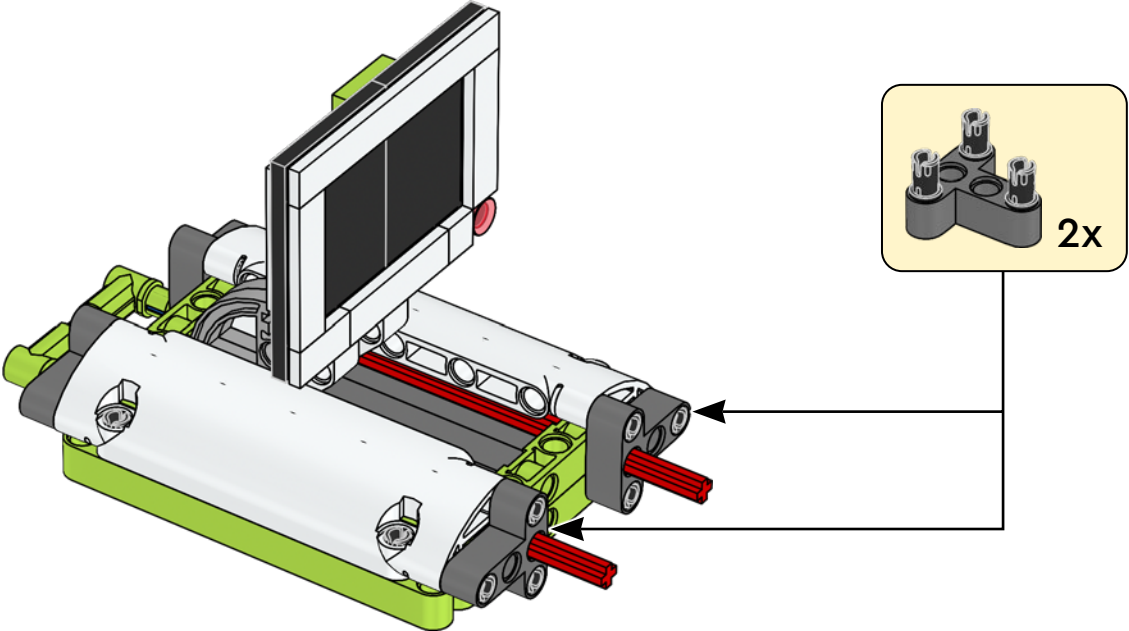
17



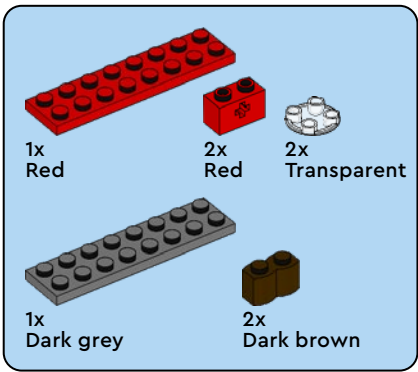
2x  
Dark grey

6x  
Black

18







# 19

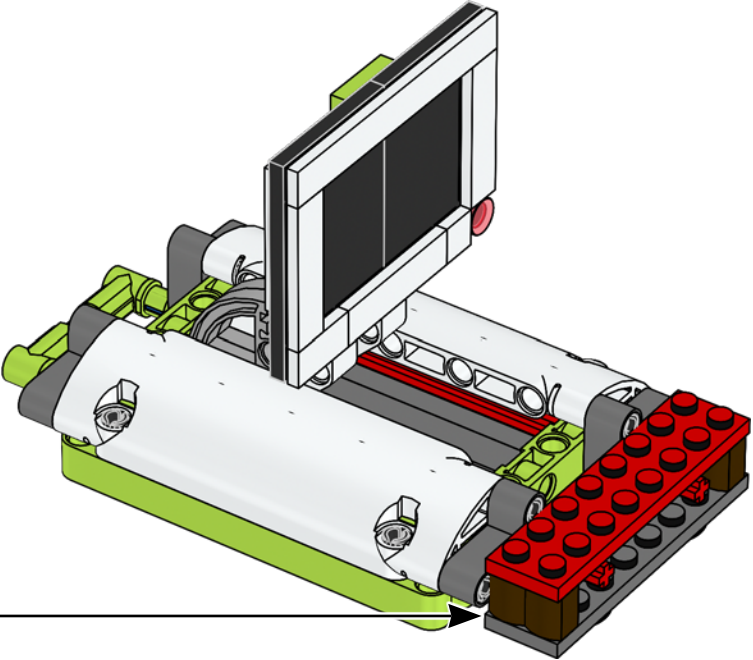
1

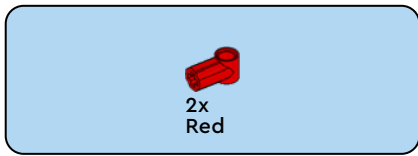
2

3

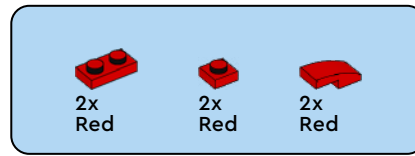
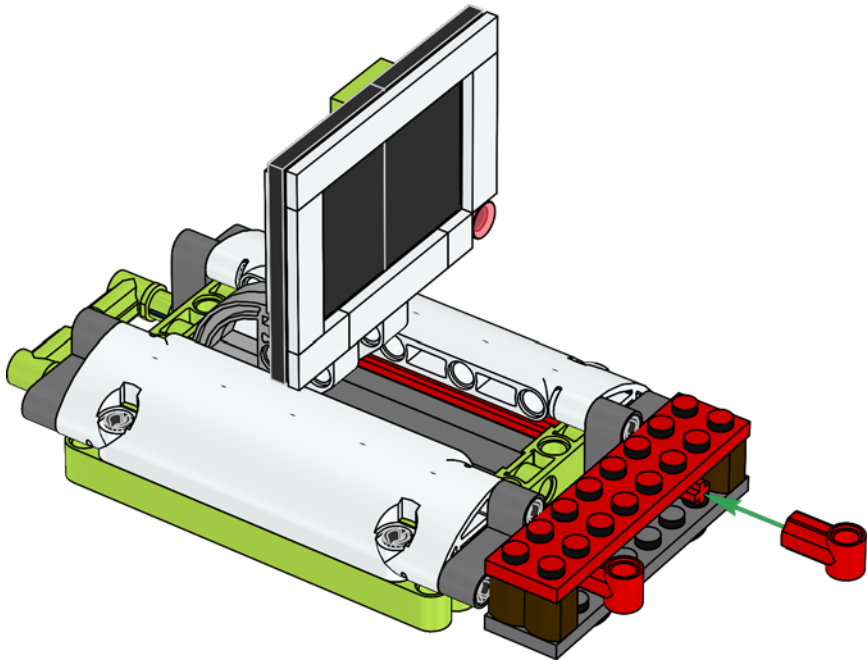
4

5

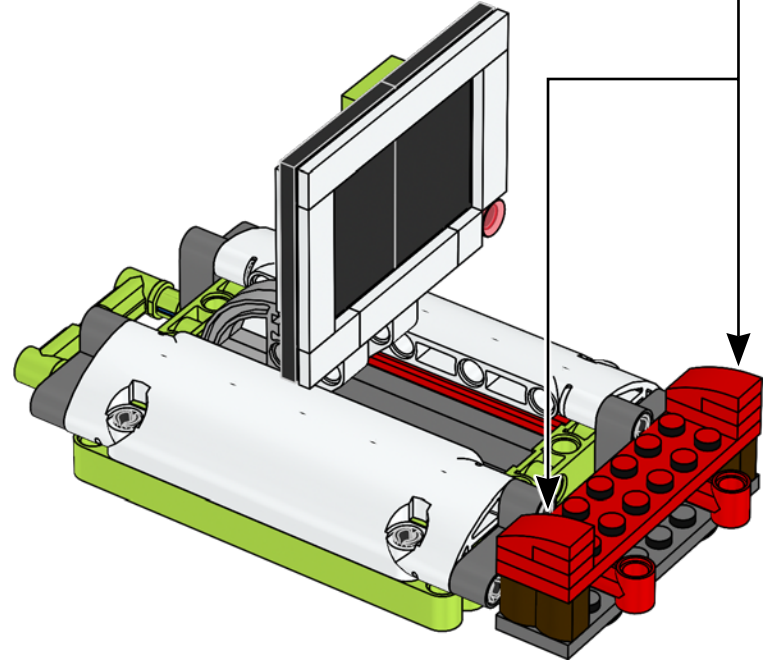
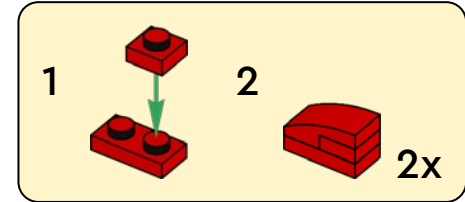


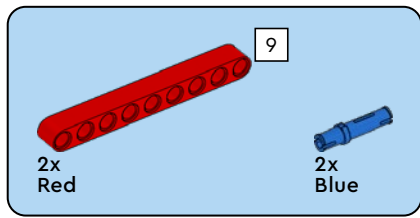


20

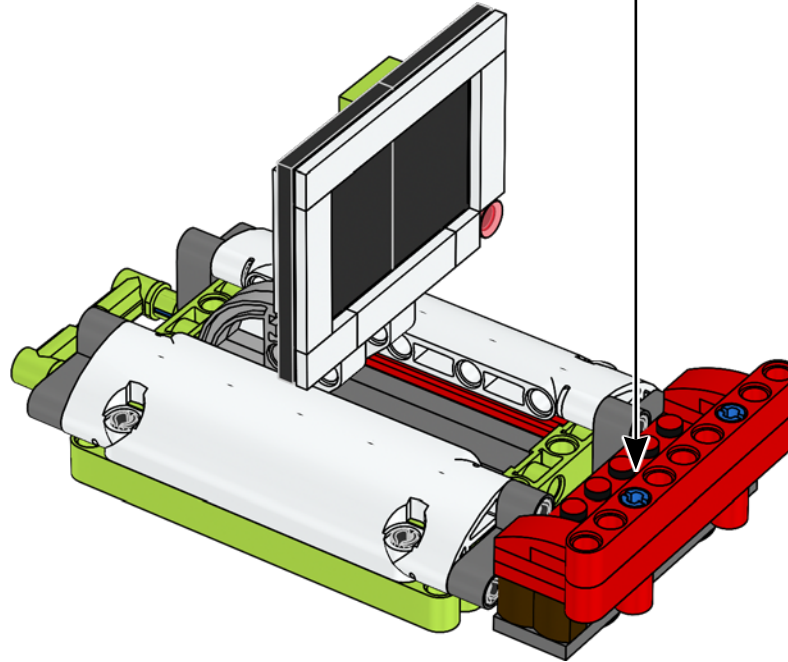
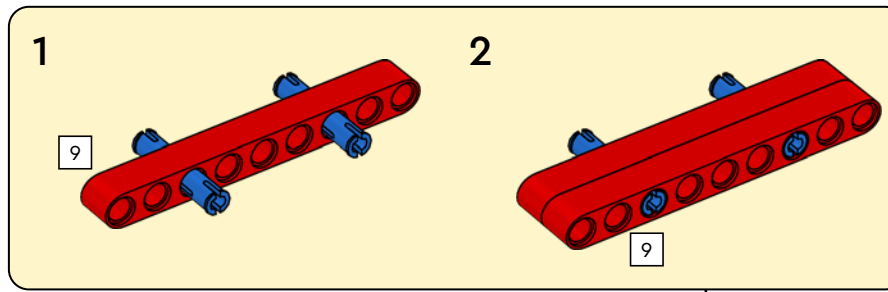


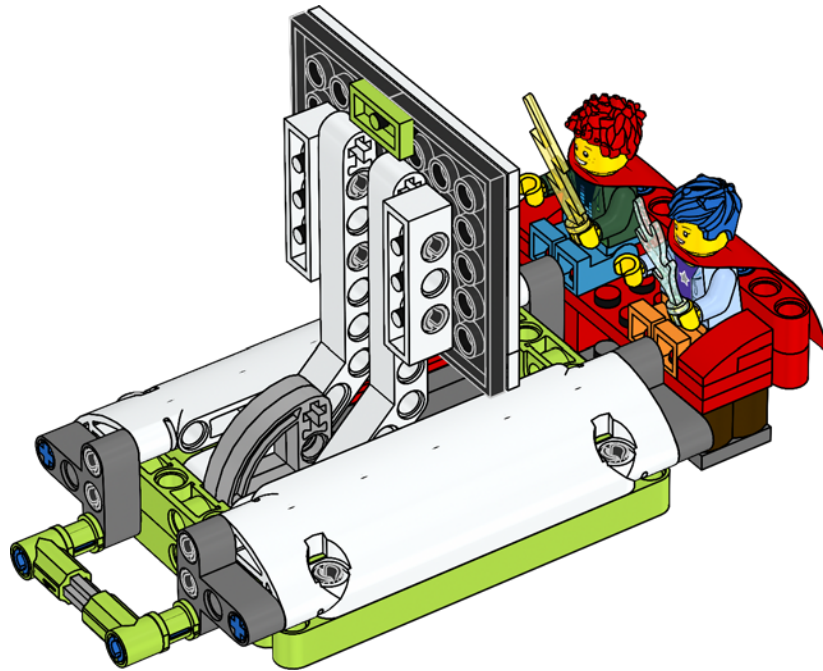
21





22





LEGO and the LEGO logo are trademarks of the/sont des marques de commerce du/son marcas registradas de LEGO Group. ©2022 The LEGO Group.

FIRST™ is a registered trademark of For Inspiration and Recognition of Science and Technology (FIRST). LEGO® is a registered trademark of the LEGO Group. FIRST™ LEGO® League and SUPERPOWERED™ are jointly held trademarks of FIRST and the LEGO Group.

©2022 FIRST and the LEGO Group. All rights reserved.