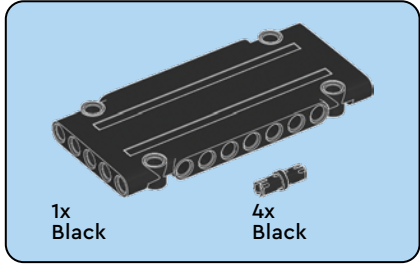
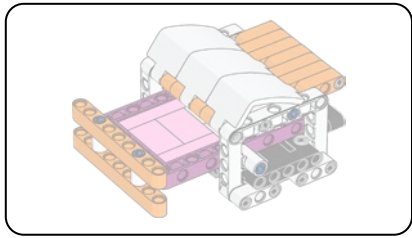
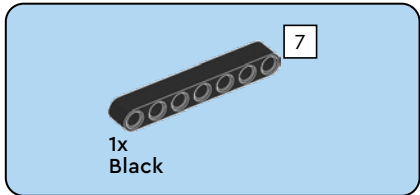
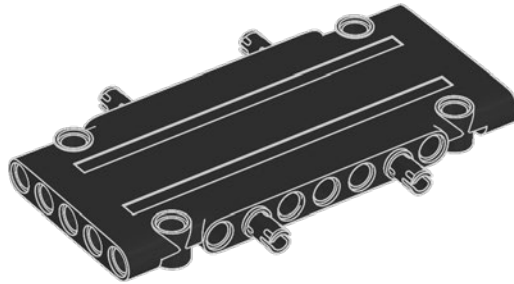


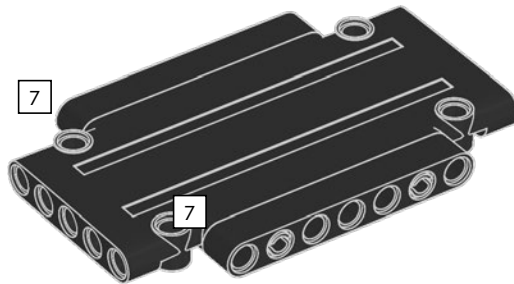
45823



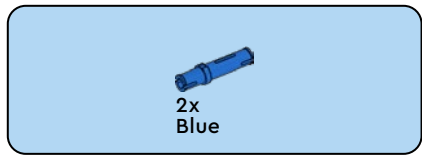
1



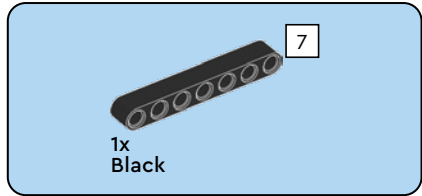
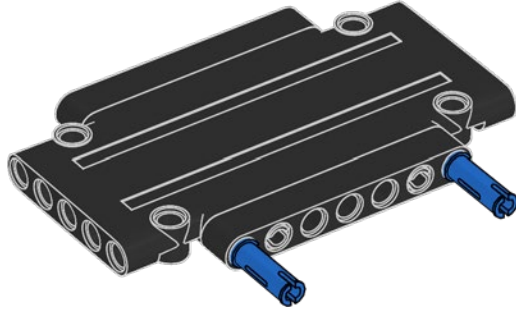
2



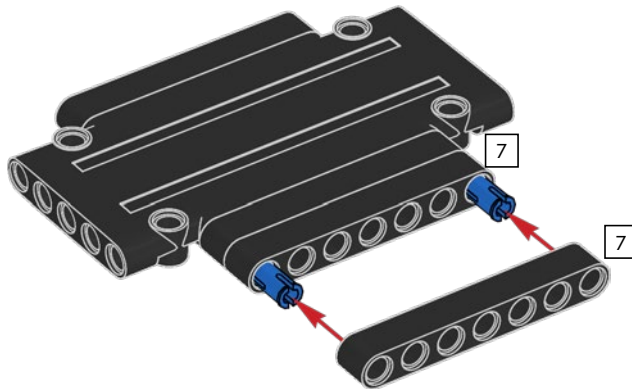
2

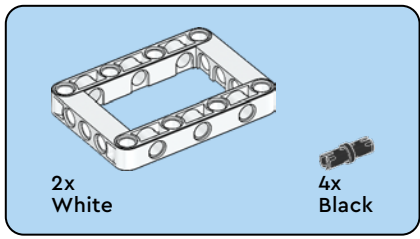


3

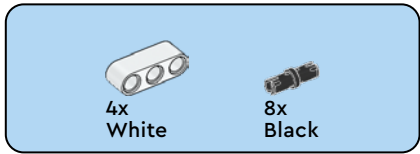
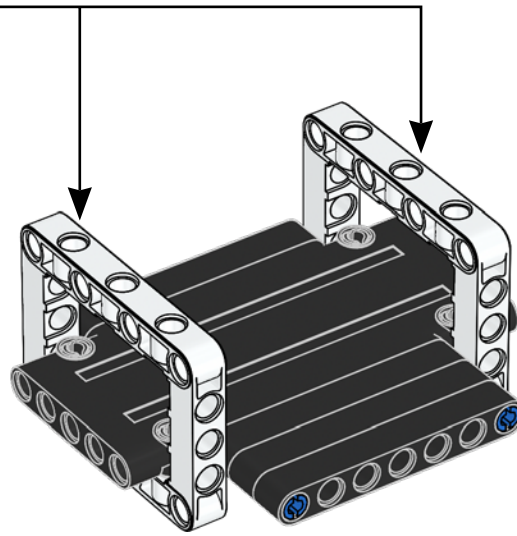
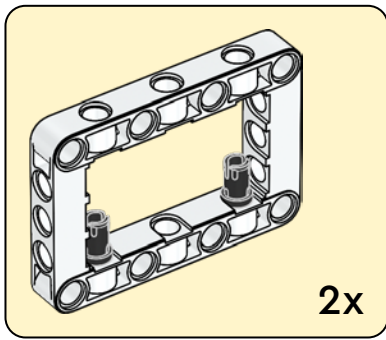


4

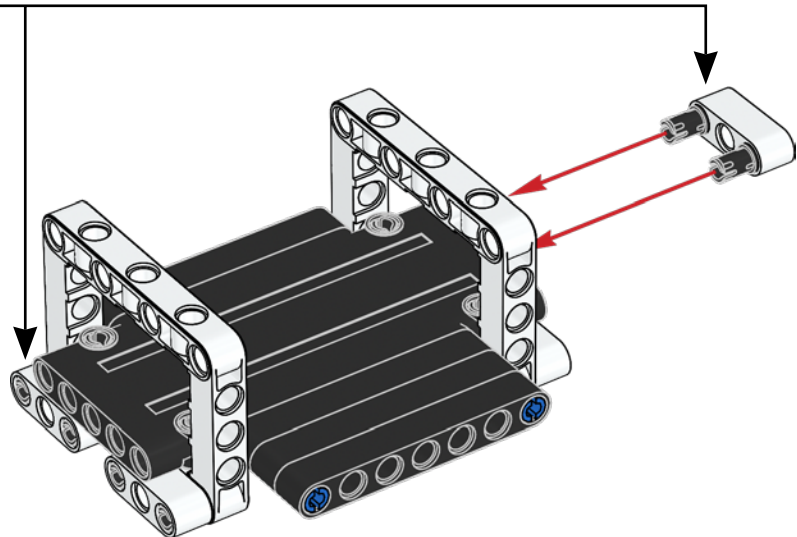
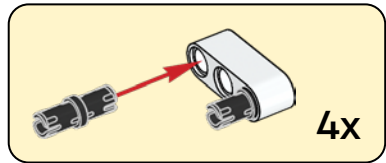


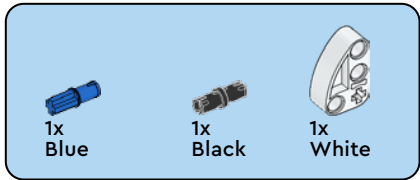


5

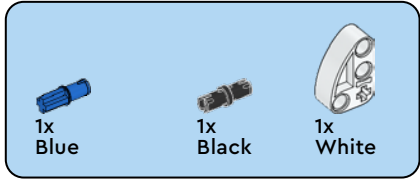
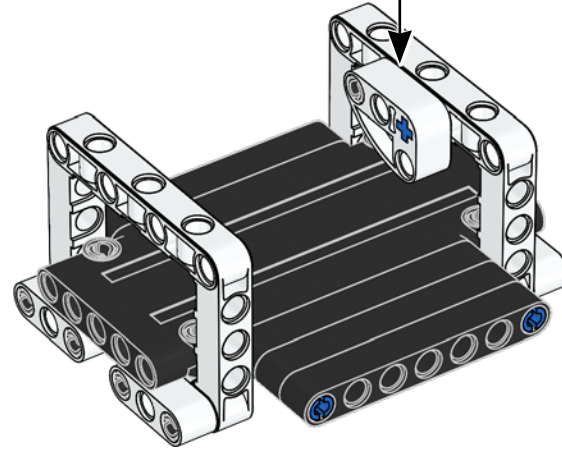
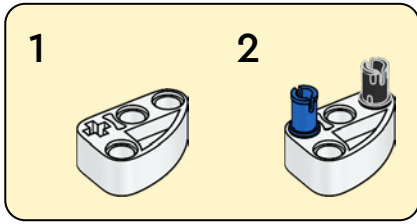


6

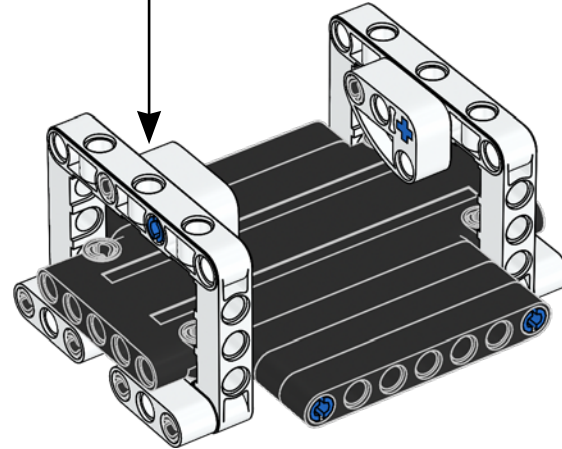
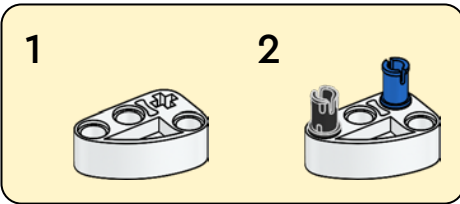


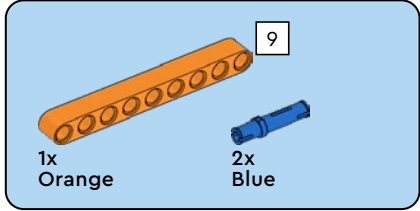
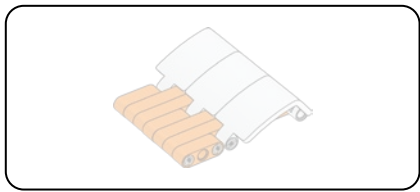


7

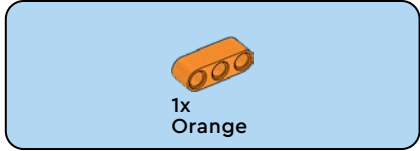
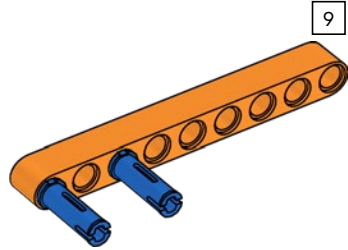


8

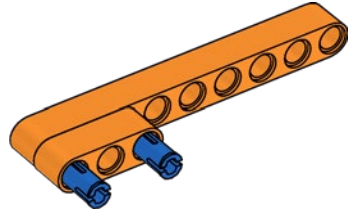




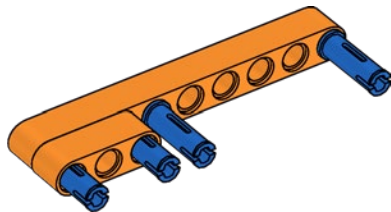
9



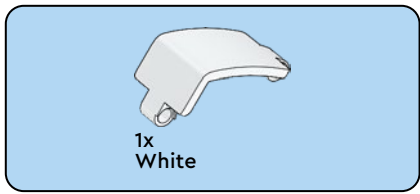
10



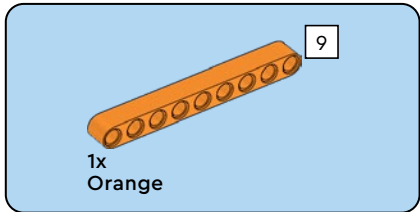
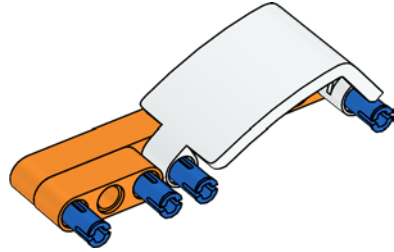
11



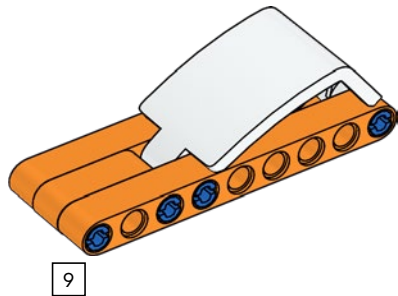
6



12

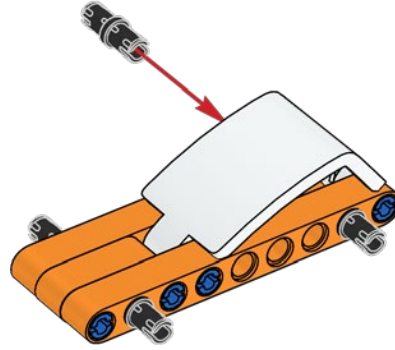


13



4x  
Black

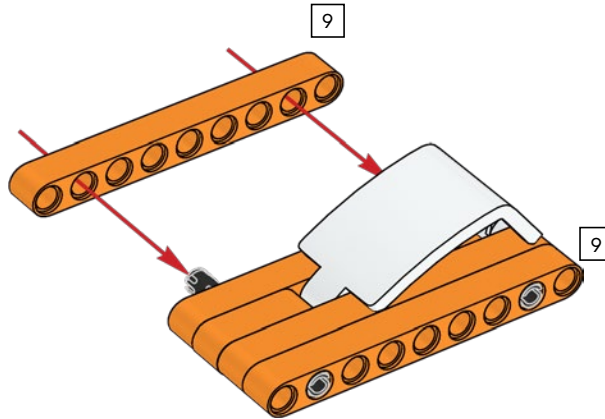
14



2x  
Orange

9

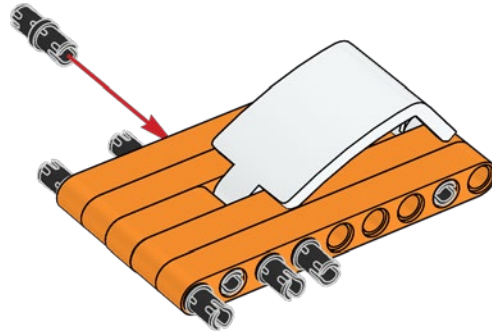
15





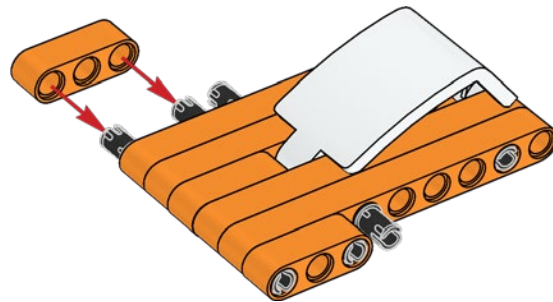
6x  
Black

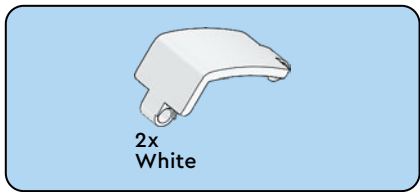
16



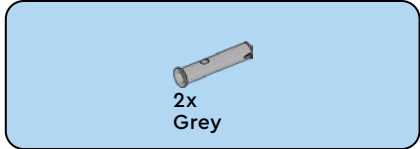
2x  
Orange

17

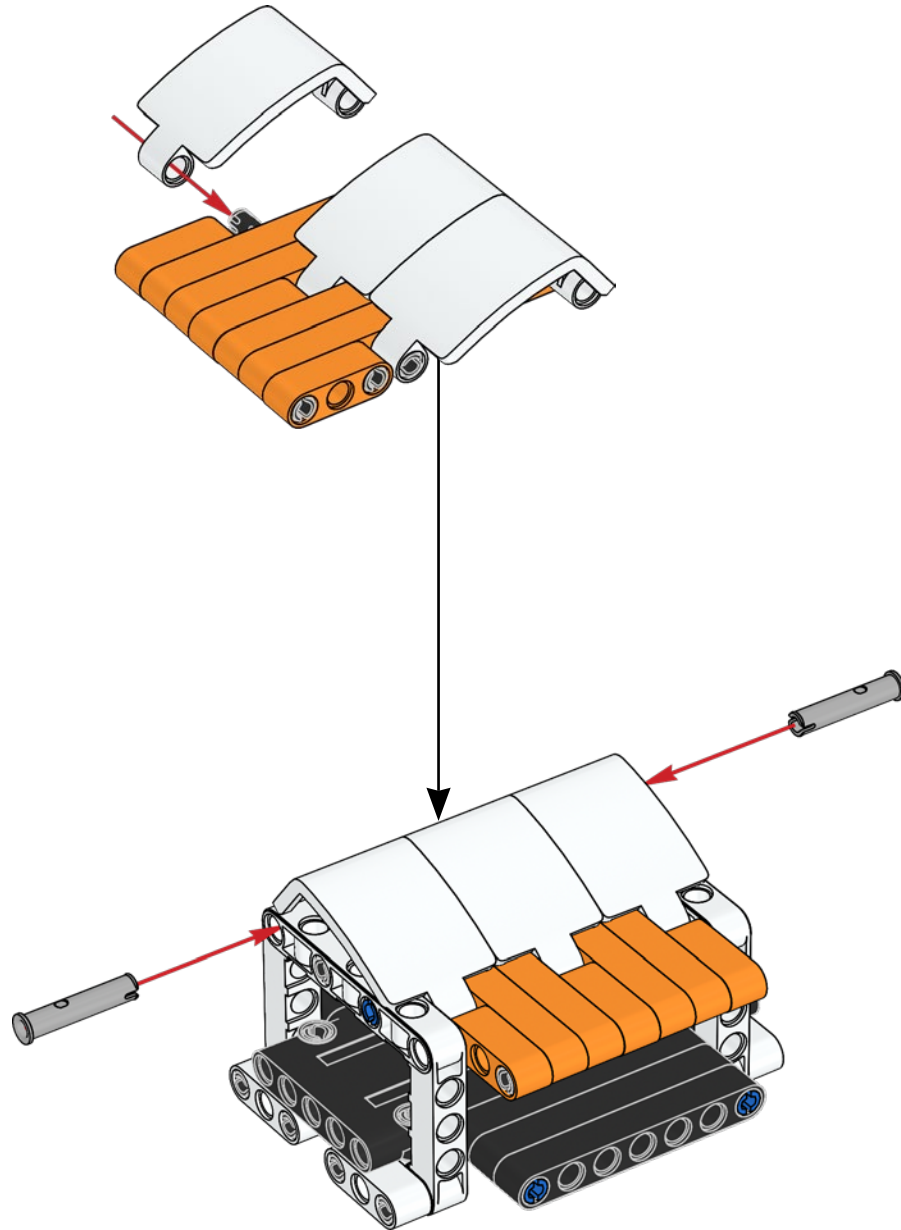


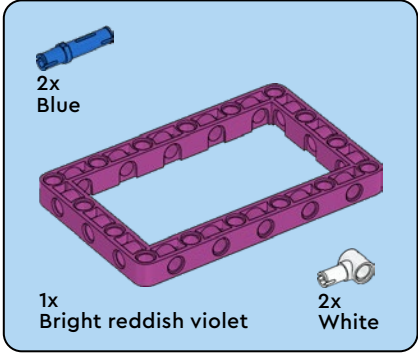
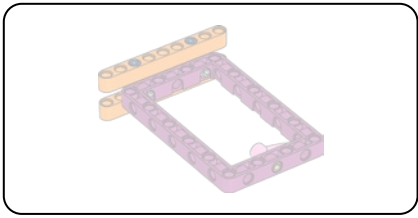


18

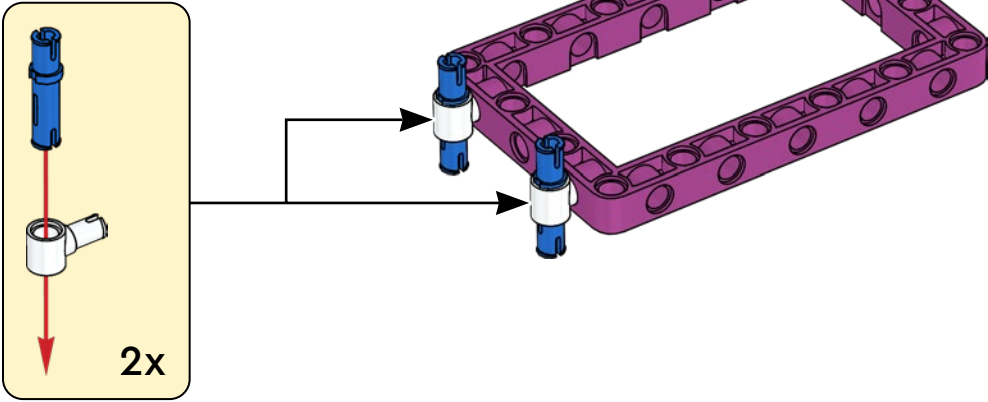


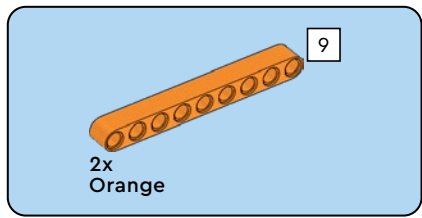
19



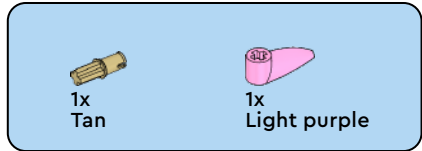
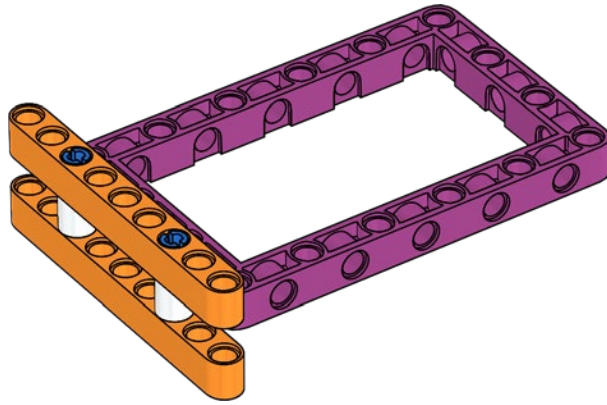


20

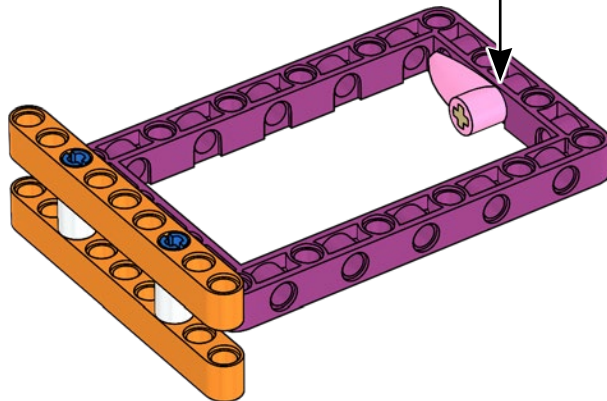
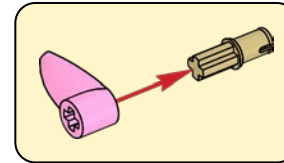




21

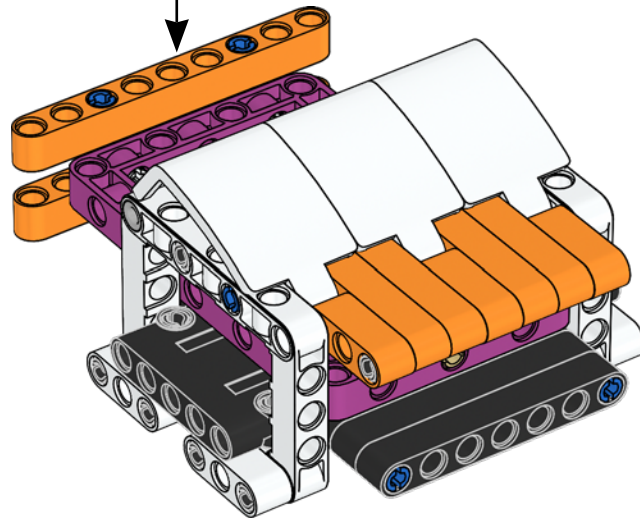


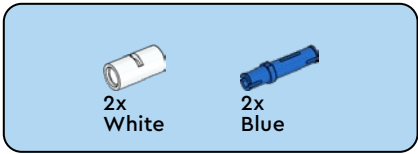
22



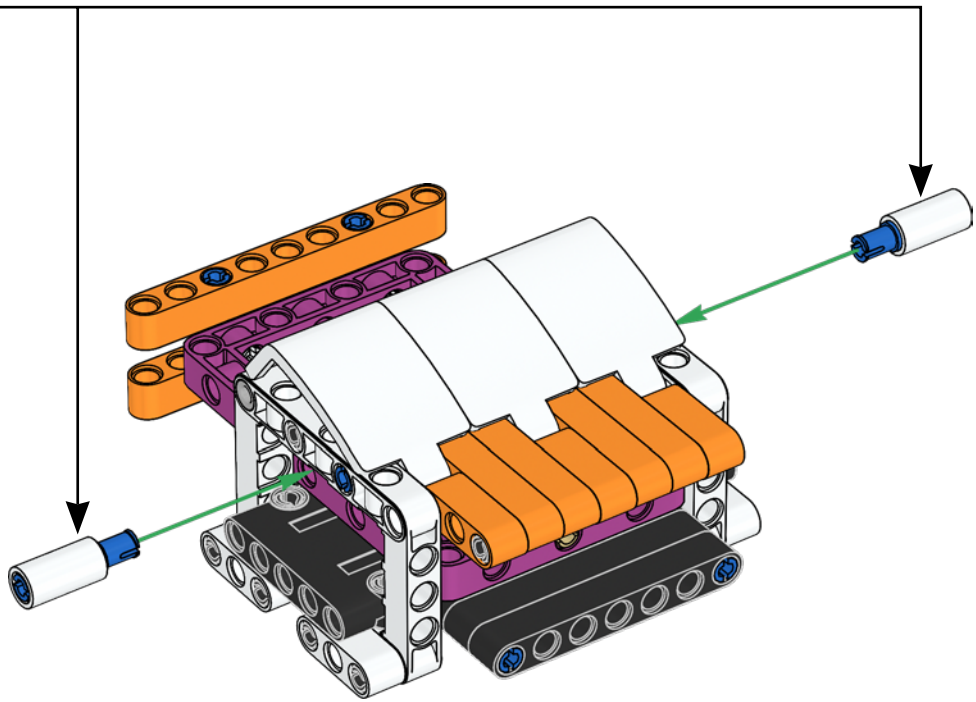
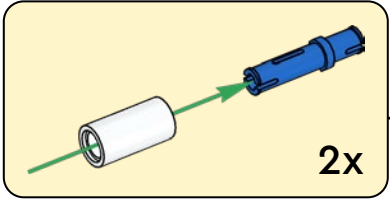


23





24





2x White  
1x White  
1x Light purple  
1x Light purple  
1x Light purple  
1x Light purple  
4x White

25

1

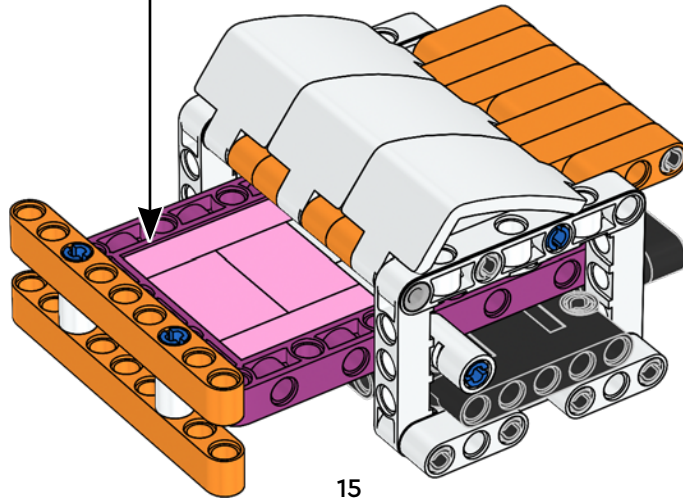
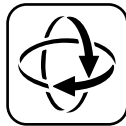
2

3

4

5

6



15