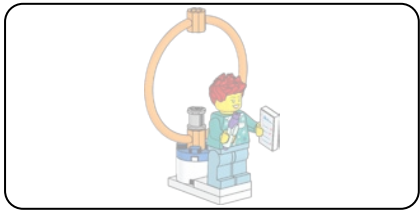


45823



1x
Bright bluish green

1x
Medium azure

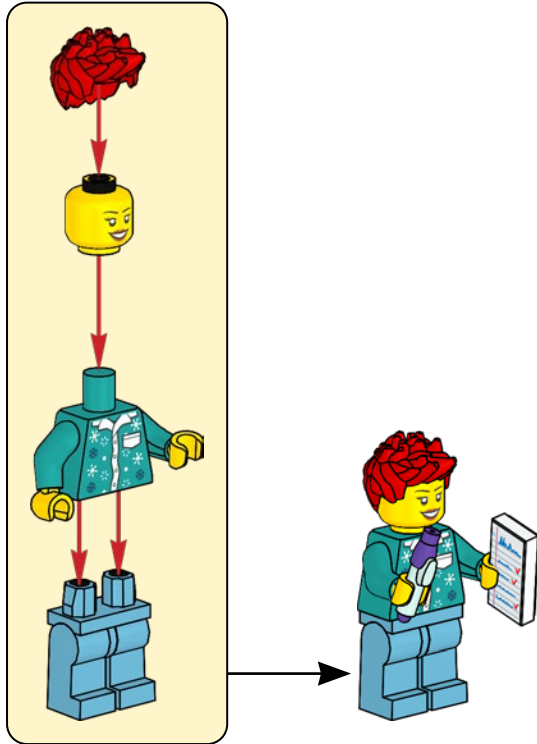
1x
Red

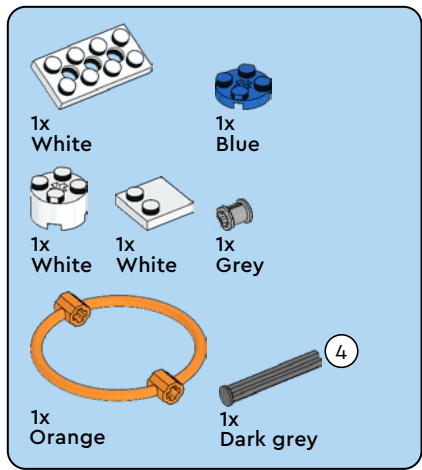
1x
Yellow

1x
White

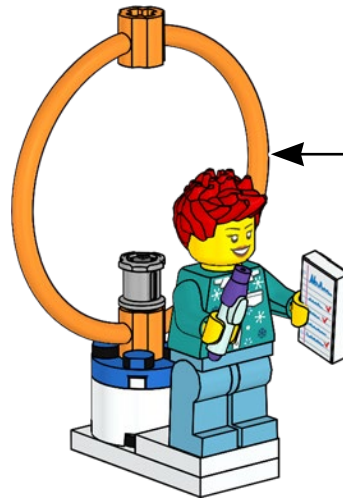
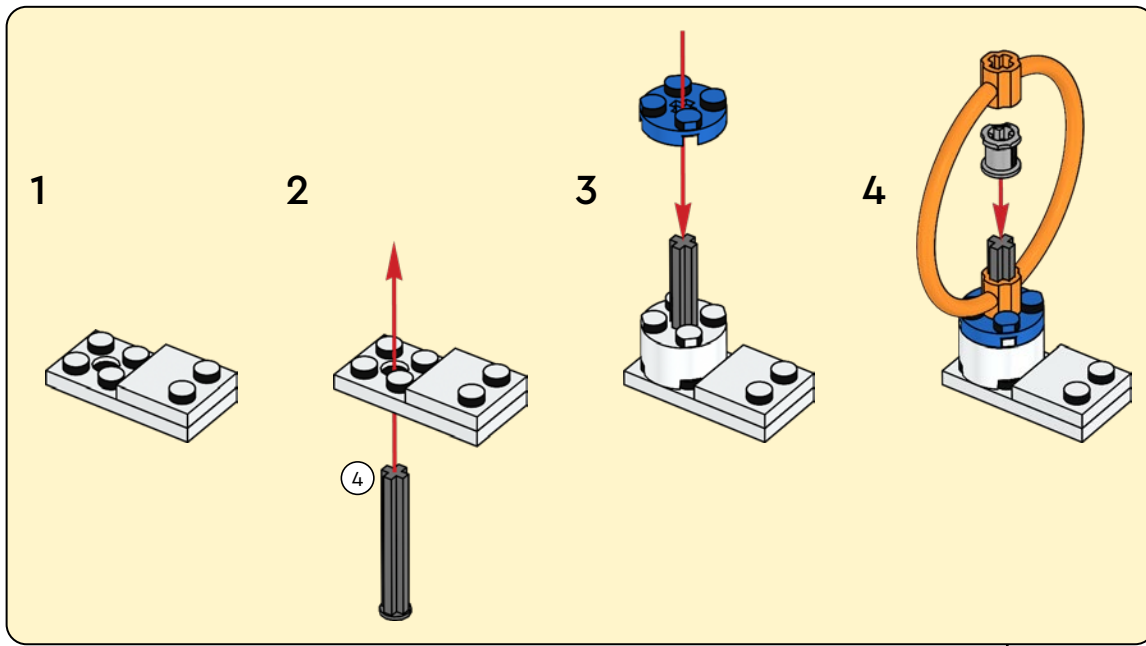
1x
Aqua blue

1

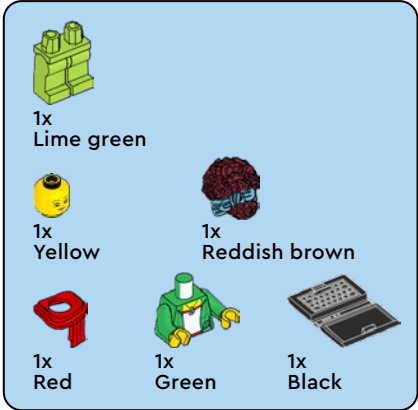
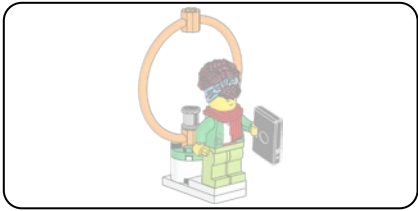




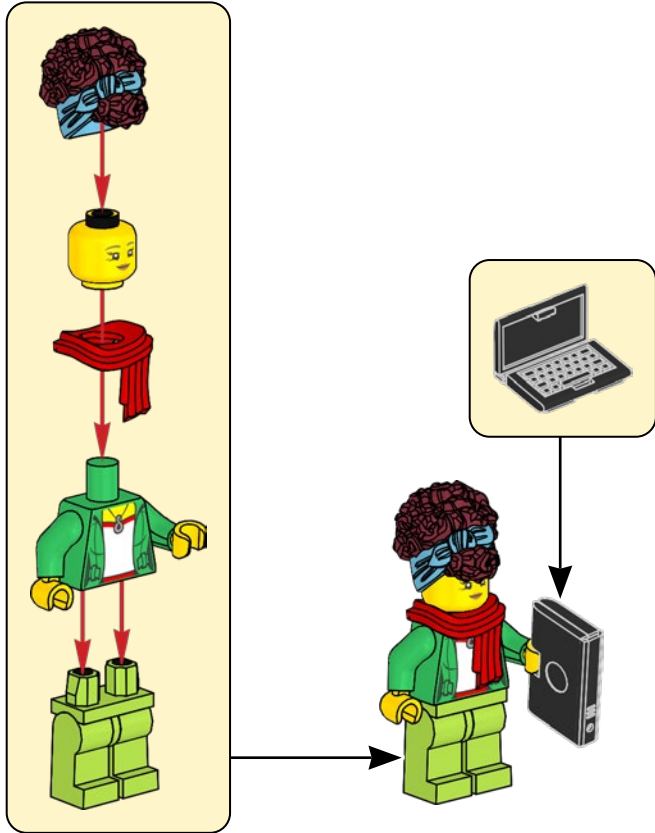
2

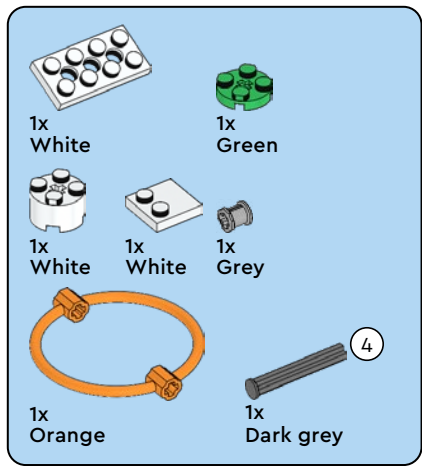


3

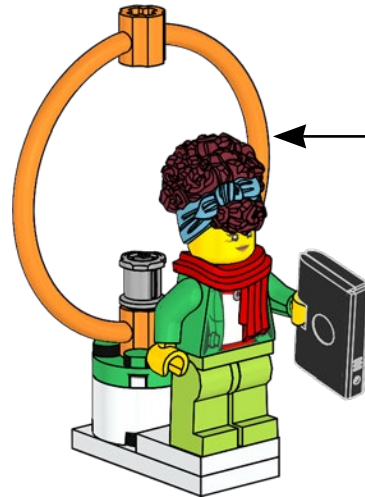
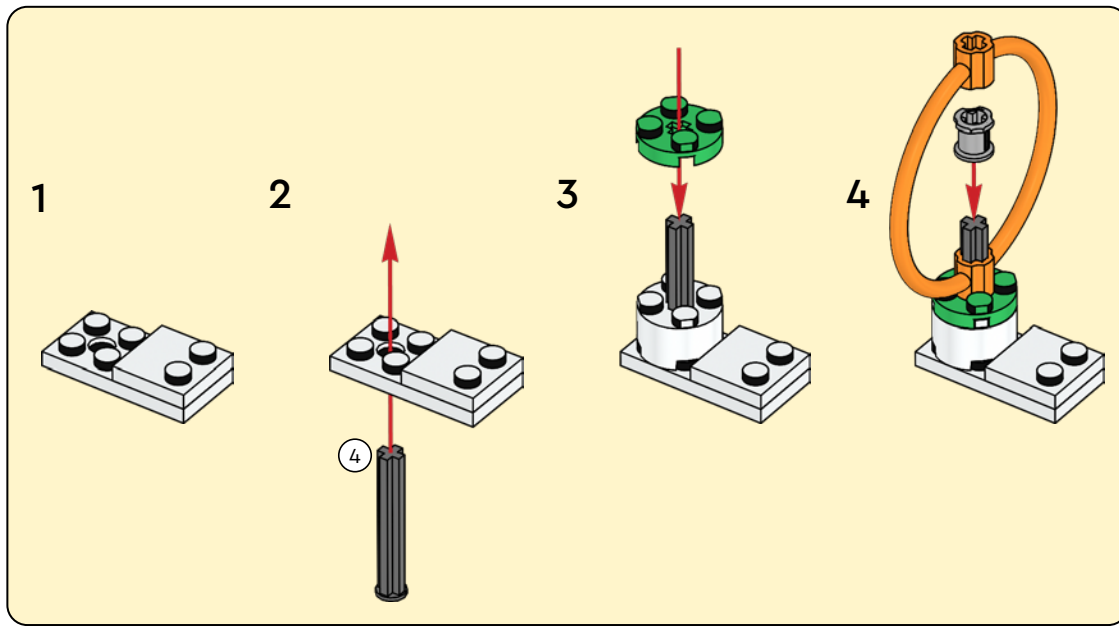


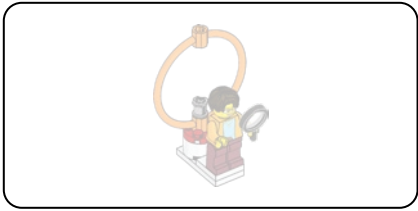
1





2





1x Light orange

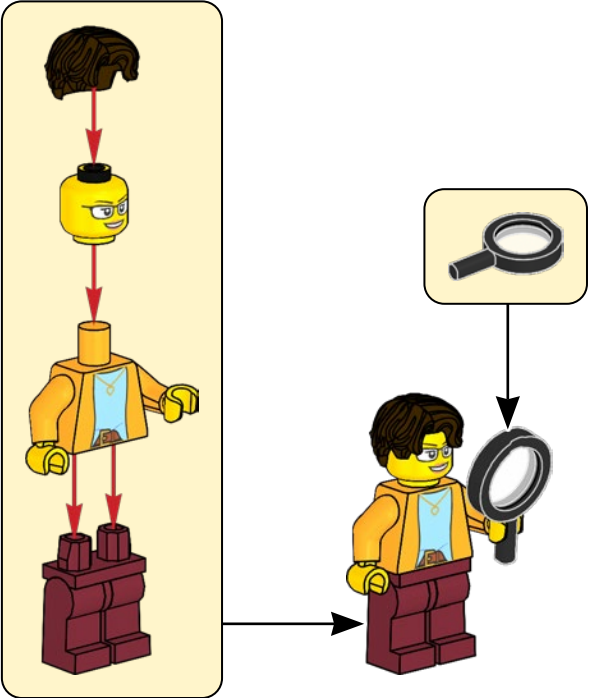
1x Yellow

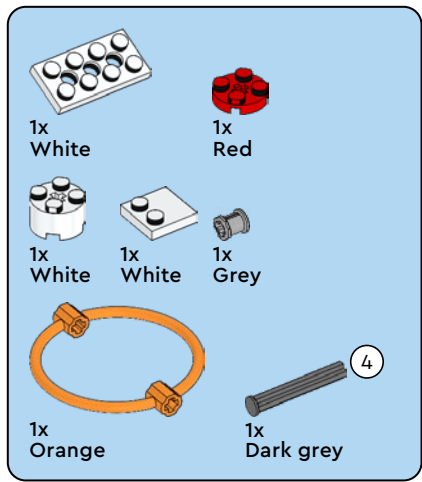
1x Black

1x Reddish brown

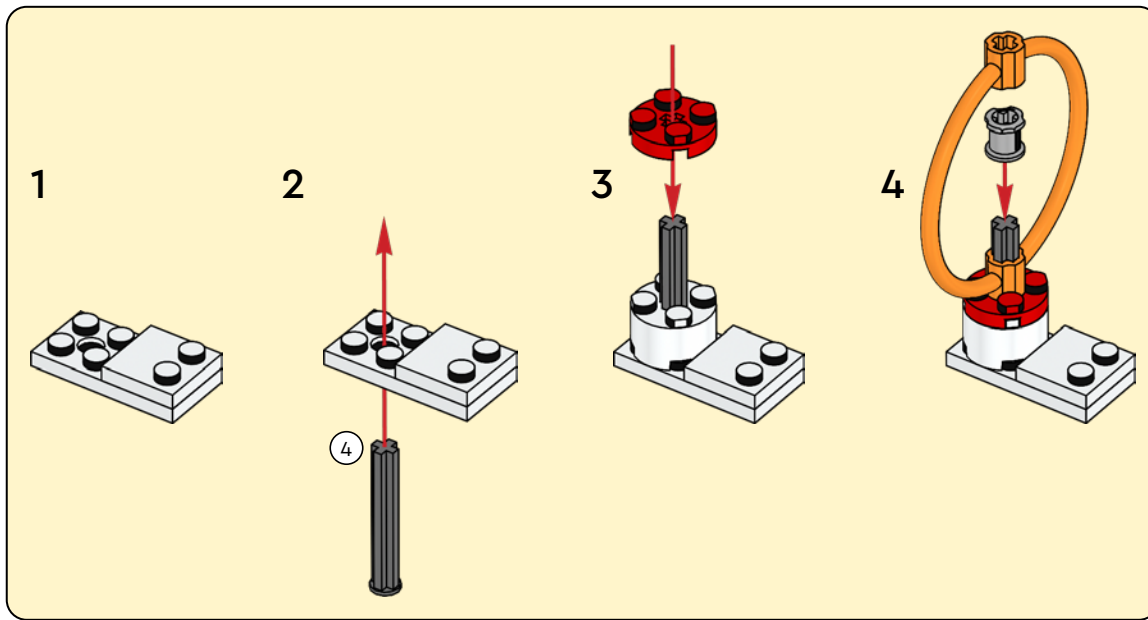
1x Dark brown

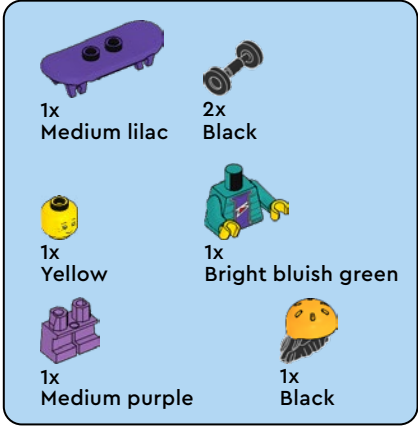
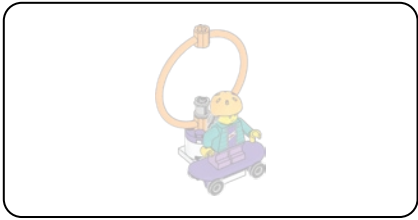
1



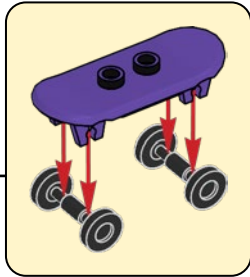
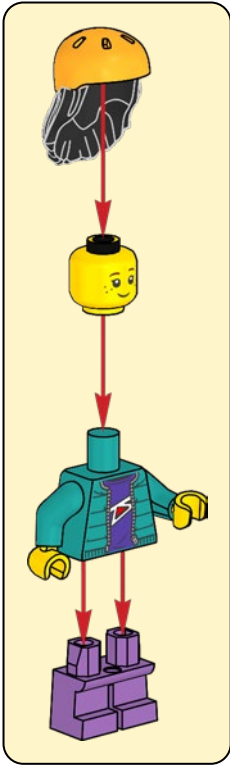


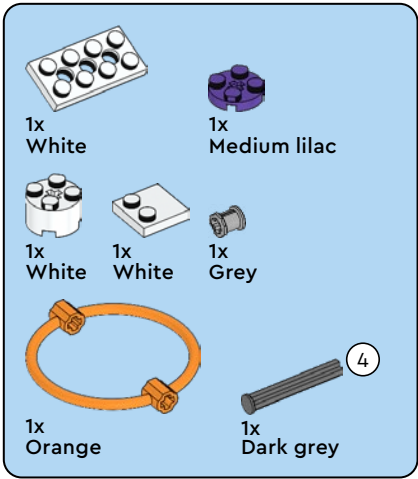
2



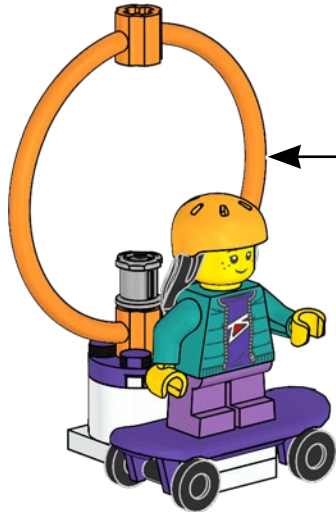
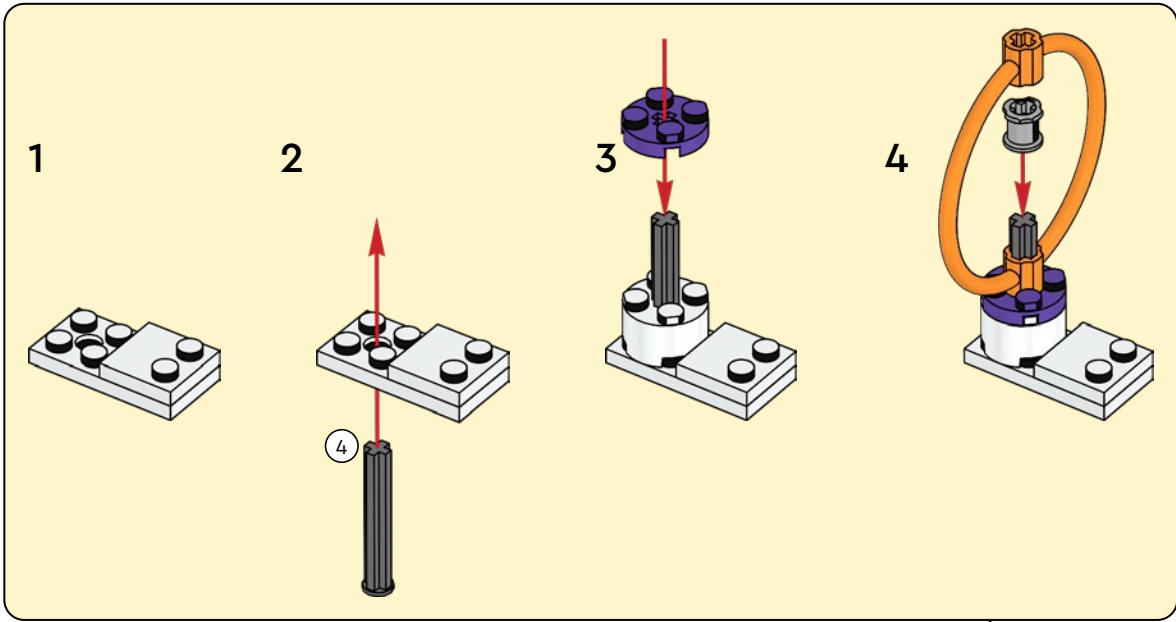


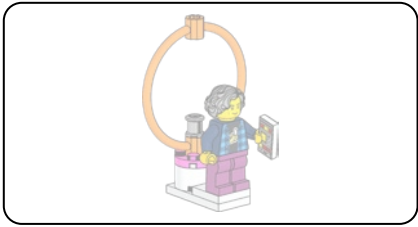
1





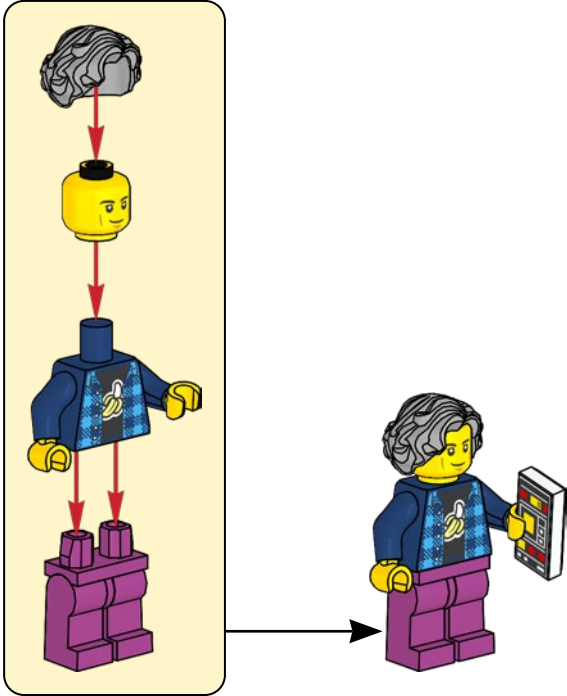
2

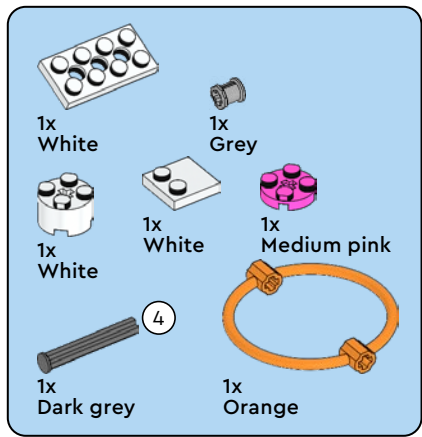




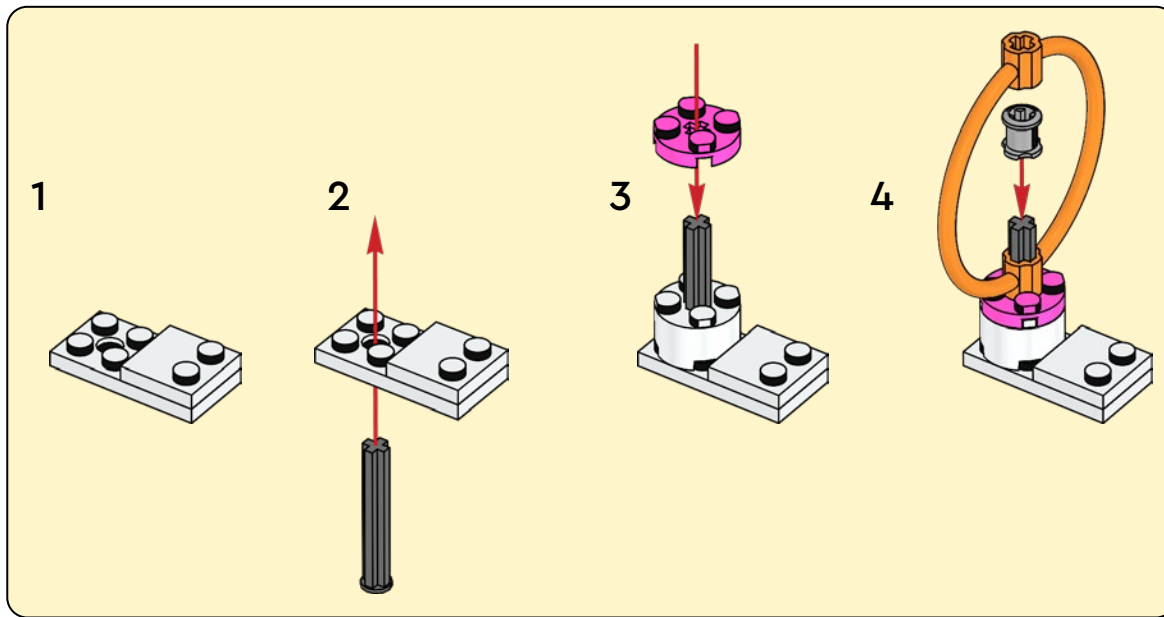
- 1x Yellow
- 1x Grey
- 1x Bright reddish violet
- 1x White
- 1x Earth blue

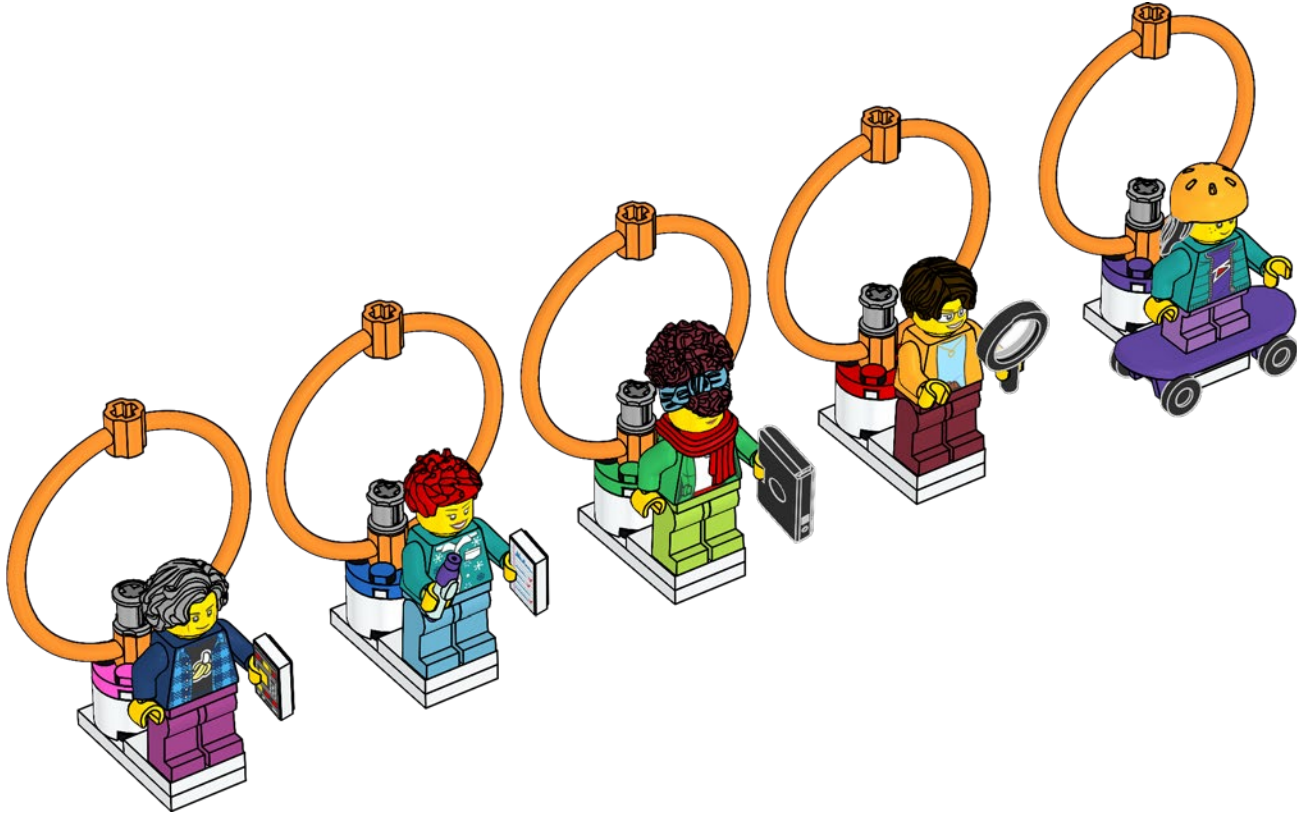
1





2





LEGO and the LEGO logo are trademarks of the/son des marques de commerce du/son marcas registradas de LEGO Group.
©2023 The LEGO Group.

FIRST™ is a registered trademark of For Inspiration and Recognition of Science and Technology (FIRST). LEGO® is a registered trademark of the LEGO Group. FIRST™ LEGO® League and MASTERPIECE™ are jointly held trademarks of FIRST and the LEGO Group.
©2023 FIRST and the LEGO Group. All rights reserved.